

# LaboPress-3



## Instruction Manual

Manual No.: 15087003

Date of Release 11.01.2008





*LaboPress-3*  
*Instruction Manual*

<b>Table of Contents</b>	<b>Page</b>
User's Guide .....	1
Reference Guide.....	13
Quick Reference Card .....	24

---

Always state *Serial No* and *Voltage/frequency* if you have technical questions or when ordering spare parts. You will find the Serial No. and Voltage on the type plate of the machine itself. We may also need the *Date* and *Article No* of the manual. This information is found on the front cover.

The following restrictions should be observed, as violation of the restrictions may cause cancellation of Struers legal obligations:

**Instruction Manuals:** Struers Instruction Manual may only be used in connection with Struers equipment covered by the Instruction Manual.

**Service Manuals:** Struers Service Manual may only be used by a trained technician authorised by Struers. The Service Manual may only be used in connection with Struers equipment covered by the Service Manual.

Struers assumes no responsibility for errors in the manual text/illustrations. The information in this manual is subject to changes without notice. The manual may mention accessories or parts not included in the present version of the equipment.

The contents of this manual is the property of Struers. Reproduction of any part of this manual without the written permission of Struers is not allowed.

All rights reserved. © Struers 2008.

**Struers A/S**  
Pederstrupvej 84  
DK-2750 Ballerup  
Denmark  
Telephone +45 44 600 800  
Fax +45 44 600 801

---





## LaboPress-3 Safety Precaution Sheet

### To be read carefully before use

1. The operator should be fully aware of the use of the machine according to the Instruction Manual.
2. The machine must be placed in a well ventilated room on a working table with adequate height for convenient operation.
3. Be sure that the actual voltage corresponds to the voltage stated on the back of the machine and on the heating/cooling unit. The machine must be earthed.
4. Be sure that the water connections are mounted correctly and without leaks. The main water supply should be turned on when the machine is in use.  
Struers recommend that the mains water supply is shut off or disconnected if the machine is to be left unattended
5. Be sure that the outlet hose is safely attached to the water outlet system.
6. Be sure that the mounting unit is correctly assembled on the press before starting the process.
7. Be sure that the top closure with upper ram is either correctly mounted on the mounting cylinder or completely removed from the mounting cylinder before starting the press.
8. Do not operate the mounting press with a higher force/pressure than recommended for the actual cylinder diameter and resin in Struers Application Guide for Hot Mounting.
9. Following a heating cycle, ensure the mounting cylinder is cooled for a minimum of two minutes before opening.
10. Do not operate the machine whilst assembling or disassembling the mounting unit.

---

The equipment is designed for use with consumables supplied by Struers. If subjected to misuse, improper installation, alteration, neglect, accident or improper repair, Struers will accept no responsibility for damage(s) to the user or the equipment.

Dismantling of any part of the equipment, during service or repair, should always be performed by a qualified technician (electromechanical, electronic, mechanical, pneumatic, etc.).

---



# User's Guide

Table of Contents	Page
<b>1. Getting Started</b>	
Checking the Contents .....	2
LaboPress-3.....	2
Mounting Unit .....	2
Unpacking LaboPress-3.....	2
Placing LaboPress-3 .....	2
Transport Screw Cap .....	2
Getting Acquainted with LaboPress-3.....	3
Noise Level.....	4
Supplying Power .....	4
Supplying Water .....	4
Water Inlet.....	4
Water Outlet.....	4
Assembling the Mounting Unit.....	5
Removing the Cover .....	5
Installing the Lower Ram .....	5
Installing the Mounting Unit.....	5
Installing the Cover.....	6
Installing the Dust Protection Ring .....	6
Disassembling the Mounting Unit.....	6
Dropping the Lower Ram .....	6
Removing the Dust Protection Ring .....	6
Removing the Cover .....	6
Removing the Mounting Unit .....	7
Removing the Lower Ram .....	7
Changing the Mounting Unit.....	7
<b>2. Basic Operations</b>	
Using the Controls.....	8
Front Panel Controls of LaboPress-3 .....	8
Acoustic Signals.....	8
Main Switch .....	8
Placing the Specimen .....	10
Pouring Resin over the Specimen.....	10
Placing Two Specimens .....	10
Installing the Top Closure.....	11
Starting the Mounting Process .....	12
Preheating with Low Pressure .....	12
Stopping the Mounting Process .....	12
Removing the Top Closure .....	12

## 1. Getting Started

### Checking the Contents

LaboPress-3

In the packing box you should find the following parts:

- 1 LaboPress-3 machine
- 1 Pressure hose
- 1 Filter gasket
- 1 Gasket
- 1 Reduction ring with gasket
- 2 Measuring spoons for mounting resin
- 1 Funnel
- 1 Air filter
- 1 Set of Instruction manuals

Mounting Unit

- 1 Mounting unit
- 1 Top closure with upper ram
- 1 Lower ram
- 1 Dust protection ring
- 1 Piston pin
- 1 Mould release agent (FASTI)
- 1 Scraper (PROAN)

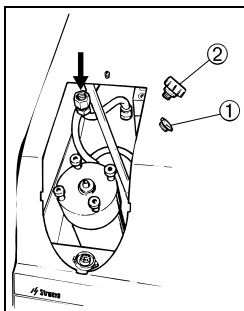
### Unpacking LaboPress-3

LaboPress-3 is detached from the bottom of the packing case by removing the four screws from below.

### Placing LaboPress-3

LaboPress-3 should be placed on a steady table with an adequate working height. The machine must be placed close to the power supply, water mains and water outlet facilities. If water recirculation is used, there must be room under the table for the Recirculation Cooling Unit (TRECI).

### Transport Screw Cap



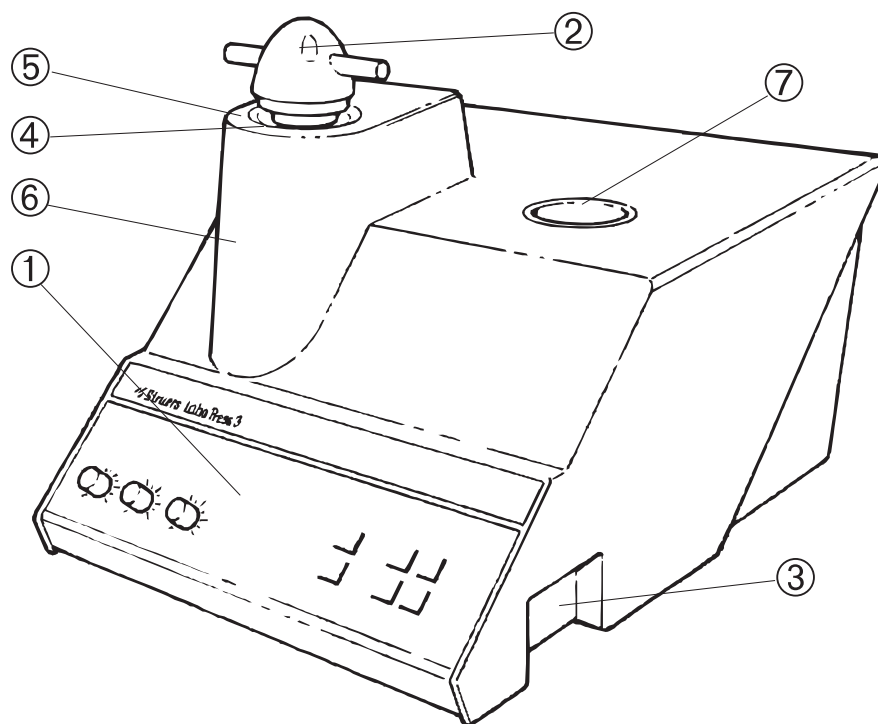
Carry out the following procedure before using the machine for the first time. Exchange the transport screw cap ① with the enclosed air filter ②, to equalise the pressure in the hydraulic system.

The transport screw cap ① is situated underneath the cover for the mounting unit.



**Getting Acquainted with  
LaboPress-3**

Take a moment to familiarise yourself with the location and names of the LaboPress-3 components.



- ① Front panel
- ② Top closure
- ③ Main switch
- ④ Mounting unit
- ⑤ Dust protection ring
- ⑥ Cover for mounting unit
- ⑦ Top closure holder

## Noise Level

The noise level of the machine is 60 dB (A) measured when the pump is running, at a distance of 1.0 m/39.4" from the machine.

## Supplying Power

LaboPress-3 is factory mounted with an electric cable. Mount a plug on the cable:

- Brown: phase
- Blue: neutral
- Yellow/green: earth

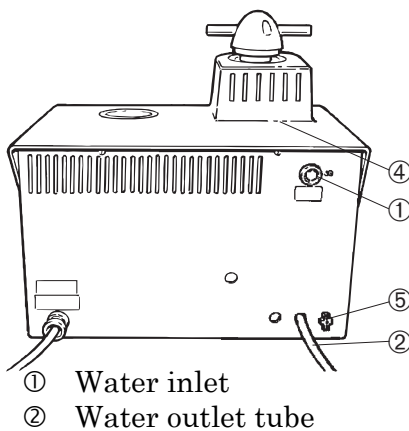
### **IMPORTANT**

Check that the mains voltage corresponds to the voltage stated on the type plate on the machine. Do not operate the machine before the transit screw cap has been exchanged with the enclosed air filter.

## Supplying Water

Water for cooling may be supplied from the water mains or a Recirculation Cooling Unit.

### Water Inlet



Mount the pressure hose onto the water inlet tube (pos.1) on the back of the machine:

- Insert the filter gasket in the coupling nut with the flat side against the pressure hose.
- Tighten the coupling nut completely.

Mount the other end of the pressure hose on the water mains tap for cold water:

- Mount the reduction ring with gasket on the water mains tap, if necessary.
- Introduce the gasket and tighten the coupling nut completely.

### **IMPORTANT**

Only connect to cold water

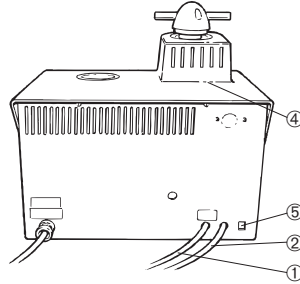
### Water Outlet

- Lead the water outlet tube (pos. 2) to the drain and be absolutely sure to place the hose with a steady downward slope and without any obstructions.
- Attach the water outlet tube to the water outlet system.

## Assembling the Mounting Unit

### Removing the Cover

- Press the catch (pos. 4).
- Press gently on both sides of the cover to release it, and lift it up.



④ Catch

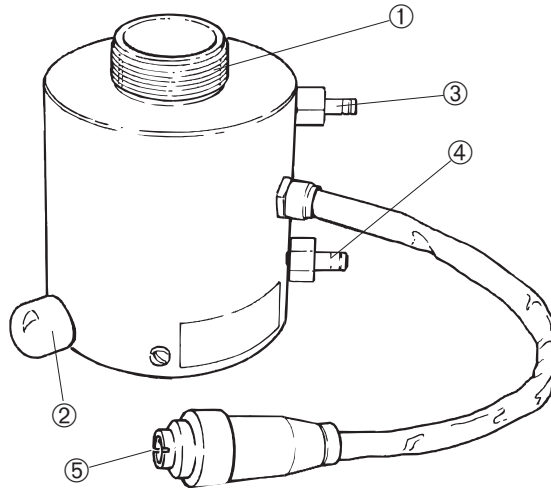
### Installing the Lower Ram

- Place the lower ram on the top of the piston rod.
- Turn the lower ram so that the holes in the axle journal on top of the rod and ram line up, and insert the piston pin.
- Make sure that the ends of the pin do not protrude.

#### **IMPORTANT**

The axle journal is part of the machine's safety mechanism to protect against damage to the machine. Please see: Maintenance. If it breaks, it must only be replaced with a Struers replacement part or the safety mechanism may not function.

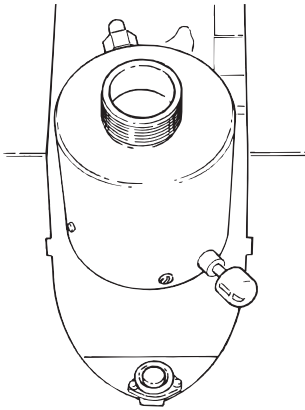
### Installing the Mounting Unit



- ① Mounting cylinder
- ② Fixation screw
- ③ Upper quick coupling for cooling water
- ④ Lower quick coupling for cooling water
- ⑤ Plug

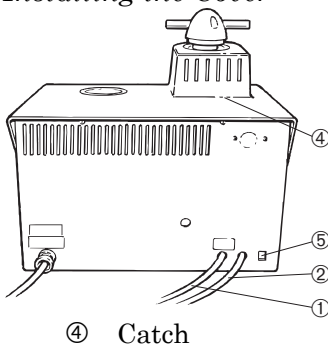
#### **IMPORTANT**

Do not operate the machine whilst installing the mounting unit



- Unscrew the fixation screw about 10 mm.
- Place the mounting cylinder over the lower ram with the fixation screw in the position shown.
- Turn the mounting unit in a clockwise direction until it stops.
- Tighten the fixation screw completely.
- Mount the tube with the straight quick coupling on the lower quick coupling (position 4) of the mounting unit and push to connect. Make sure that the ring comes to stop in the extreme end of the quick coupling.
- Mount the tube with the elbow quick coupling on the upper quick coupling of the mounting unit (pos. 3) and push to connect. Make sure that the ring comes to stop in the extreme end of the quick coupling.
- Mount the plug (pos. 5) in the socket. Tighten the coupling nut.

*Installing the Cover*



- Insert the barb into the front of the opening for the cover.
- Insert the barbs on both sides of the cover into the cabinet. Press the sides of the cabinet gently.
- Press the rear end of the cover in so that the catch engages.

*Installing the Dust Protection Ring*

Place the dust protection ring around the mounting cylinder. The concave side should face upwards.

**Disassembling the Mounting Unit**

*Dropping the Lower Ram*

- Switch on the main power of the machine.
- Press the key RAM DOWN ▼ to lower the ram to its lower limit.

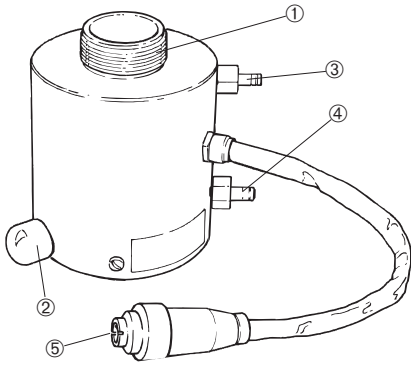
*Removing the Dust Protection Ring*

Lift out the dust protection ring.

*Removing the Cover*

- Press the catch (position 4 above).
- Press gently on both sides of the cover, to release it, and lift it up.

## Removing the Mounting Unit



**IMPORTANT**  
Do not operate the machine whilst removing the mounting unit

- ① Mounting cylinder
  - ② Fixation screw
  - ③ Upper quick coupling for cooling water
  - ④ Lower quick coupling for cooling water
  - ⑤ Plug
- Disconnect the plug (pos. 5) in the socket. Loosen the coupling nut and pull.
  - Disconnect the tube with elbow quick coupling on the upper quick coupling on the mounting unit (pos. 3). Pull the ring. Wait 5 seconds to allow the water to flow out of the cooling coil.
  - Disconnect the tube with straight quick coupling on the lower quick coupling on the mounting unit (pos. 4). Pull the ring.
  - Unscrew the fixation screw about 10 mm.
  - Turn the mounting unit in an anti-clockwise direction until it stops.
  - Lift the mounting unit.

## Removing the Lower Ram

- Push the piston pin out of the lower ram and lift it off.

**IMPORTANT**  
The axle journal is part of the machine's safety mechanism to protect against damage to the machine. Please see: Maintenance. If it breaks, it must only be replaced with a Struers replacement part or the safety mechanism may not function.

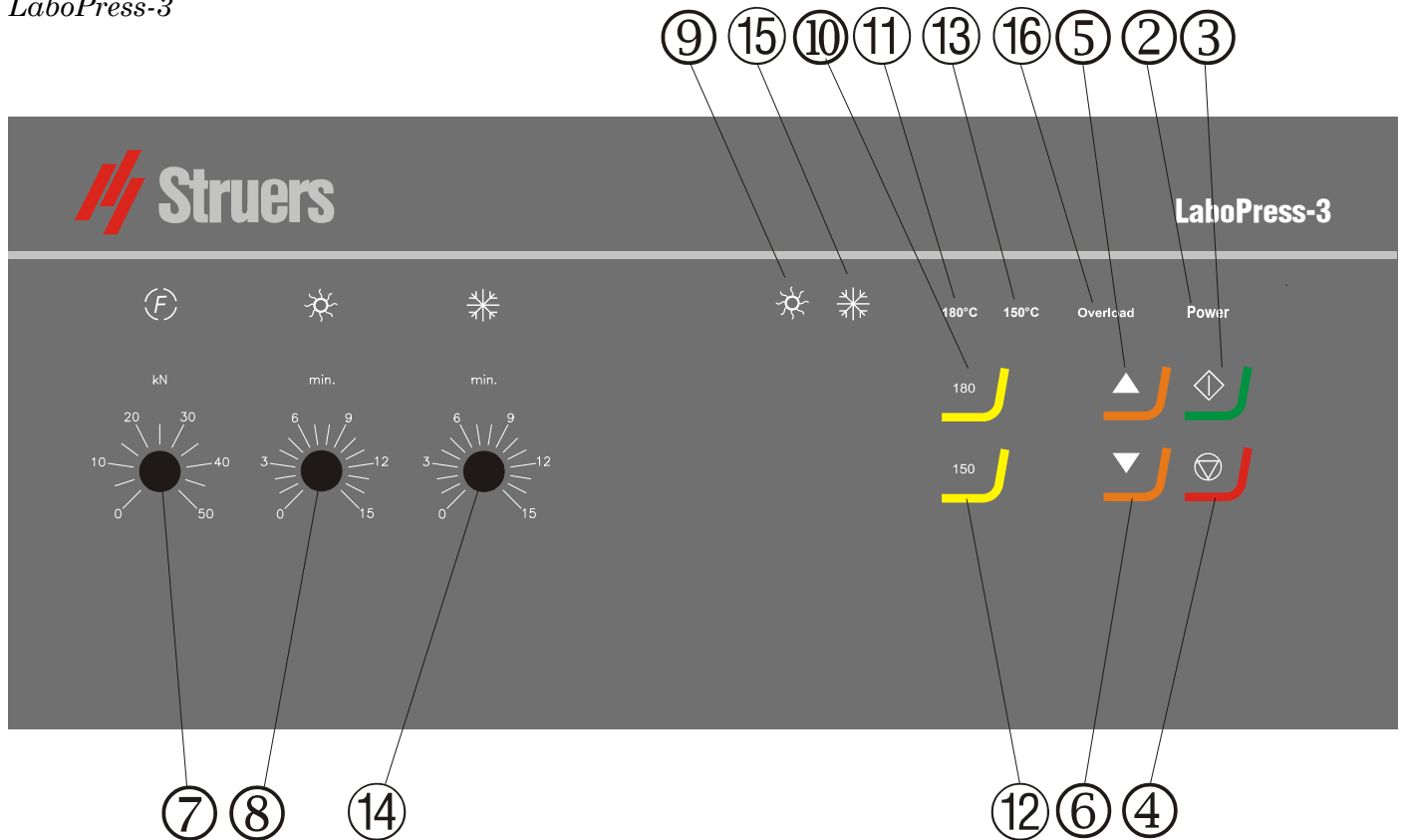
## Changing the Mounting Unit

Follow the instructions for Removing the Mounting Unit and Installing the Mounting Unit.




## 2. Basic Operations

### Using the Controls

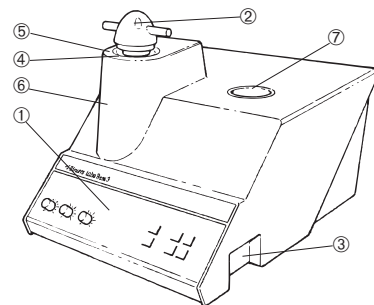
Front Panel Controls of  
LaboPress-3



### Acoustic Signals

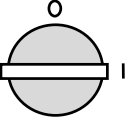



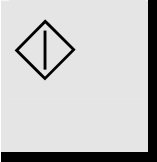

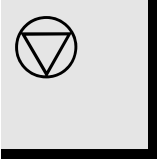

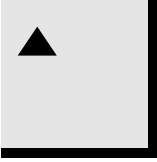

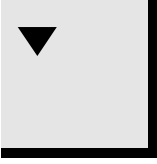




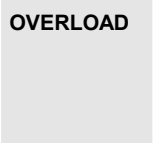
-  **Short Beep:** when a key is pressed, a short beep indicates that the command has been accepted.
-  **Long Beep:** a long beep indicates that the key is inactive at that moment.
-  **Three long beeps:** indicate that the mounting process is finished.

### Main Switch



- ① Front panel
- ③ Main switch

*LaboPress-3*  
*Instruction Manual*

Pos. No.	Key/Knob	Function	Pos. No.	Key/Knob	Function
① MAIN SWITCH		Turns the main power of the machine on/off. The main switch is located to the right of the cabinet.	⑨ HEATING INDICATOR		Lights up when heating is on.
② POWER		Lights up when the main power is on.	⑩ HEATING		Selects a heating temperature of 180°C.
③ START		Starts the automatic mounting process.	⑪ HEATING INDICATOR		Lights up when the heating temperature is set to 180°C.
④ STOP		Stops the mounting process, followed by automatic release of pressure. Stops the movement of the lower ram.	⑫ HEATING		Selects a heating temperature of 150°C.
⑤ RAM UP		Starts the upward movement of lower ram. When started: stops the upward movement of the lower ram. The ram automatically stops when the upper limit is reached.	⑬ HEATING INDICATOR		Lights up when the heating temperature is set to 150°C.
⑥ RAM DOWN		Starts the downward movement of lower ram. When started: Stops the downward movement of the lower ram. The ram automatically stops when the lower limit is reached.	⑭ COOLING		Adjustable knob for setting the cooling time.
⑦ FORCE		Adjustable knob for setting the force (pressure).	⑮ COOLING INDICATOR		Lights up when cooling is on.
⑧ HEAT		Adjustable knob for setting the heating time.	⑯ OVERLOAD		Lights up if the motor has been overloaded.

### Placing the Specimen

- Press and hold RAM UP ▲ to raise the lower ram to its upper limit.
- Apply “*Mould Release Agent*” to the surface of the lower ram.
- Place the specimen on the ram. The specimen must be clean, dry and free from grease. The distance between the specimen and the cylinder wall must be minimum 3 mm to avoid cracks in the resin.

### *Pouring Resin over the Specimen*

- Press and hold RAM DOWN ▼ to lower the ram to its lower limit.
- Fill a suitable amount of resin into the cylinder by means of the enclosed funnel.

**Always** make sure there is sufficient resin to cover the sample after compression. Please note that the volume of the resin reduces when the granulate becomes compressed. If insufficient resin is used, the rams may come in contact with the sample, and the cylinder may be damaged.

#### ***Important***

The “*Mould Release Agent*” must always be applied to the mounting rams as a thin layer to prevent the resins sticking to the surface. By means of Struers AntiStick a thin layer of stearate powder can easily be dabbed on the rams.

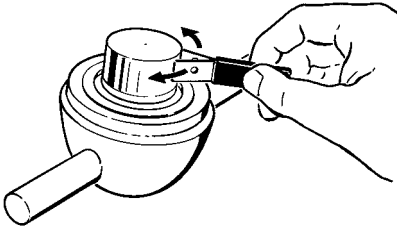
### Placing Two Specimens

- Follow the instructions in Placing the Specimen.
- Apply “*Mould Release Agent*” to all surfaces of the intermediate ram.
- Place the intermediate ram on top of the resin.
- Place the second specimen on the intermediate ram and fill the cylinder with an adequate quantity of resin.

Again, make sure you use adequate resin!



### Installing the Top Closure



- Remove resin dust from the upper part of the mounting cylinder.
- Clean the cylindrical surface of the upper ram. Cured resin can easily be removed without damage to the surface of the ram using the scraper supplied.
- Apply “*Mould Release Agent*” to all accessible surfaces of the upper ram.
- Place the top closure with the upper ram on the mounting cylinder.
- Press the top closure straight down, turning it counter-clockwise until you hear a click.
- Press the top closure down and turn it clockwise until its lower limit.
- Turn the top closure a quarter of a turn back.

***Important***

If the ram does not fit in the cylinder then check ram and cylinder for cured resin. The tolerance between the cylinder and the ram is very fine and even small amounts of resin from previous mounting may cause problems.

### **Starting the Mounting Process**

- Set the force.
- Set the heating time.
- Set the heating temperature (180/150°C).
- Set the cooling time.
- Press START ◊, and the process will run automatically.
- The mounting process can be followed on the heating and cooling indicators.

### *Preheating with Low Pressure*

Set the force to a low value to begin with. Adjust the force after the desired period of preheating.

### **Stopping the Mounting Process**

- The machine automatically stops and relieves the pressure when the cooling time has elapsed. The machine can be stopped at any time during the mounting process by pressing STOP ⊕.

*If you have stopped the machine during the mounting process:*  
Cool the mounting cylinder in minimum 2 min before opening, after a heating period. Please note that the mount possibly will be destroyed.

### **Removing the Top Closure**

When the mounting process is finished:

- Turn the top closure counter-clockwise until released from the threads.
- Press RAM UP ▲ to raise the lower ram to its upper limit.
- Place the top closure in the top closure holder.

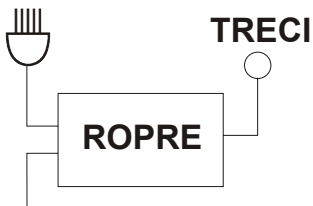
# Reference Guide

Table of Contents	Page
<b>1. Advanced Operations</b>	
Installation of Recirculation Cooling Unit (Optional) .....	14
Socket for Recirculation .....	14
<b>2. Struers Metalog Guide™</b> .....	15
<b>3. Application Guide for Hot Mounting</b> .....	15
<b>4. Accessories</b> .....	16
<b>5. Consumables</b> .....	17
<b>6. Trouble-Shooting</b> .....	18
<b>7. Maintenance</b>	
Daily Service .....	20
Monthly Service .....	20
Cleaning under the Lower Ram .....	20
Cleaning the Rams .....	20
Removing the Upper Ram .....	21
Lubricating the Threads for the Top Closure .....	21
Decalcifying the Cooling Coil in the Mounting Unit .....	21
Replacing the Cooling Water .....	22
Checking the Recirculating Cooling Unit .....	22
<b>8. Technical Data</b> .....	23

## 1. Advanced Operations

### Installation of Recirculation Cooling Unit (Optional)

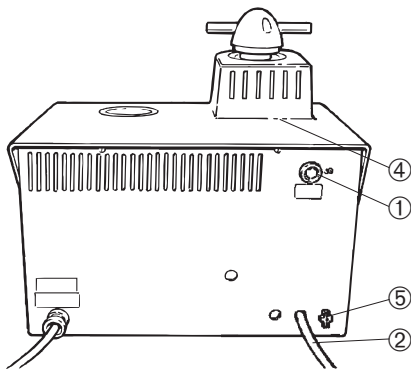
A Recirculation Cooling Unit (TRECI) can be connected by means of a Recirculation Cooling Unit Connector (ROPRE).



LaboPress-3/  
ProntoPress-10/ProntoPress-20

Connect the cable from the pump in TRECI to ROPRE, according to the diagram of ROPRE.

### Socket for Recirculation



- ② Outlet hose
- ⑤ Socket for recirculation

- Connect the cable with plug from ROPRE to the socket (pos. 5) on the back of the mounting press.
- Connect the cable from ROPRE to the mains.
- Check that the pump rotates in the direction indicated on the pump. If the direction is incorrect, switch two of the phases in the connection to the pump in TRECI (3-phase versions only).
- Replace the outlet tube on the pump in TRECI with the non-return valve with elbow and hexagon nipple from ROPRE. Struers recommends that you seal the threads.
- Connect the pressure hose of the mounting press to the hexagon nipple. Remember to mount the gasket.
- Lead the outlet hose (pos. 2) to the inlet on TRECI. Be absolutely sure to place the hose with a steady downward slope and without obstructions.
- Attach the water outlet to the inlet of TRECI.

## 2. Struers Metalog Guide™

Struers Metalog Guide™ offers preparation methods for the most common materials, based on a simple analysis of two key properties: hardness and ductility. Finding the right method, including choice of consumables is easy. Always consult Struers Metalog Guide™ for the correct preparation method for the actual specimens.

Struers Metalog Guide™ contains 6 useful chapters:

*Metalogram*

A quick and safe guide to the right preparation method.

*Metalog Method:*

A complete catalogue of preparation methods, based on Struers' extensive materialographic experience, and employing Struers' range of consumables.

*Preparation Philosophy*

The basics of modern specimen preparation, seen from a professional point of view.

*Metalog Process*

The materialographic preparation process from start to finish, logically explained.

*Metalog Master*

A combined trouble-shooting guide and supply of in-depth information on the processes of mechanical preparation, including an expert system for the solving of preparation problems.

*Metalog Code*

Quick access to the relevant consumables for the chosen preparation methods.

**Struers Metalog Guide™**

A complete guide to materialographic specimen preparation. Contact your local dealer for a free copy of Metalog Guide™.

## 3. Application Guide for Hot Mounting

Useful mounting data and hints can be found in the Struers [Application Guide for Hot Mounting](#) or visit the Struers website on <http://www.struers.com> and see the section on **Knowledge**

## 4. Accessories

<b>Type</b>	<b>Description</b>	<b>Code</b>
<b>Mounting Unit</b> consisting of cylinder, upper and lower ram, heating/cooling unit and top closure	25 mm dia. 30 mm dia. 1 ¼" dia. 1 ½" dia. 40 mm dia. 50 mm dia.	CYNMI CYNTE CYNQU CYNHA CYNIF CYNAM
<b>Intermediate Ram</b> for making 2 simultaneous mounts	25 mm dia. 30 mm dia. 1 ¼" dia. 1 ½" dia. 40 mm dia. 50 mm dia.	CYLDO CYLDO CYLDO CYLDO CYLDO CYLDO
<b>Recirculation Cooling Unit</b>		TRECI
<b>Recirculation Cooling Unit Connector</b> for connection of Recirculation Cooling Unit (TRECI) to LaboPress-3.		ROPRE

## 5. Consumables

Resin	Application	Specific property	Material	Contents	Code
<b>ConduFast</b> (Resin 1)	Electropolishing	Electrically conductive Very low shrinkage	Acrylic resin with iron powder filler Thermoplastic, Grey	1 kg	RESFE
<b>SpeciFast</b> (Resin 3)	Glass clear mounts Porous samples Surface electrical insulator for ConduFast	Transparent Medium shrinkage	Acrylic Thermoplastic	1.5 kg 7.5 kg 25 kg	RESTH RESYV RESFA
<b>PolyFast</b>	Edge retention	Very low shrinkage Medium removal rate	Phenolic resin with carbon filler Thermosetting, Black	1 kg 7.5 kg	FAPSA FAPME
	Examination in scanning electron microscope	Electrically conductive Low emission in the vacuum chamber.			
<b>IsoFast</b> (Resin 4)	Edge retention Planeness	Low shrinkage Low removal rate	Dialylphthalate with glass fibre filler Thermosetting, Green	1 kg 7.5 kg	RESDI RETTY
<b>DuroFast</b> (Resin 5)	Edge retention Planeness	Very low shrinkage Good adhesion Very low removal rate	Epoxy with mineral filler Thermosetting, Black	1 kg 7.5 kg	RESIF RESEN
<b>MultiFast</b>	Routine examination, Backup resin	Low shrinkage Medium removal rate	Phenolic resin with wood flour filler Thermosetting, Black	2.5 kg 7.5 kg 25 kg	RESRU RESUK RESLA
<b>MultiFast Green</b>	Routine examination Colour marking	Low shrinkage Medium removal rate	Phenolic resin with wood flour filler Thermosetting, Green	2.5 kg 7.5 kg 25 kg	FAGSA FAGME FAGLA
<b>MultiFast Brown</b>	Routine examination Colour marking	Low shrinkage Medium removal rate	Phenolic resin with wood flour filler Thermosetting, Brown	2.5 kg 7.5 kg 25 kg	FABSA FABME FABLA

Product	Application	Specific property	Material	Contents	Code
<b>Pre-Mount</b>	Serial mounting of uncomplicated shapes	Easy to handle Low shrinkage Medium removal rate	Phenolic resin with wood flour filler In tablet form Thermosetting, Black	<b>25 mm/ 1" dia.</b> approx. 1100 pcs. 10 kg	RESUN
				<b>30 mm/ 1.1/4" dia.</b> approx. 760 pcs. 10 kg	RESGI
				<b>40 mm/ 1 1/2" dia.</b> approx. 460 pcs. 10 kg	RESAM

Product	Application	Material	Contents	Code
<b>Mount Release Wax</b>	To avoid sticking of the mounts to the rams	Wax	24 g	PREWA
<b>AntiStick</b>	To avoid sticking of the mounts to the rams	Very fine stearate powder	8 g	FASTI

## 6. Trouble-Shooting

Display/error	Cause	Action
<b>Error Message</b>		
Overload	The motor has been overloaded.	Let the motor cool down and start the mounting press again. If this does not help: Call a Struers service technician.
<b>Acoustic Signals</b>		
Long beep.	The command can not be accepted.	Check User's Guide, Section 2.
<b>Machine Problems</b>		
Process will not start.	Heating time and cooling time are set at zero.	Set the correct times.
Insufficient compression.	Incorrect setting of force/pressure.	Set the correct parameter.
	Defect in the pressure system.	Call a Struers service technician.
Insufficient heating.	Incorrect setting of time or temperature for heating.	Set the correct parameters.
	Defect in the heating system.	Call a Struers service technician.
Insufficient cooling.	Incorrect setting of time for cooling.	Set the correct parameter.
	Mains tap supplying cooling water is either closed or not opened sufficiently. Filter at the water inlet is blocked. The water is too hot.	Open the tap. Clean the filter.
	Insufficient water within the Recirculation Cooling Unit. The water is too hot.	Fill to the correct water level. See the section: Maintenance.
	Defect in the cooling system.	Call a Struers service technician.
Cooling water drips underneath the machine.	The quick coupling is not mounted correctly.	Remove the cover from the mounting unit and check the quick coupling connections.
The top closure will not start threading on the mounting cylinder.	The top closure is not mounted correctly.	Press the top closure straight down, turning it counter-clockwise until you hear a click. Turn the top closure clockwise.
	The upper ram is too hot.	Let the top closure and the upper ram cool down. Reduce the mounting temperature.
	Cured resin inside the mounting cylinder.	Clean the mounting cylinder with a brass wire brush.
	Cured resin on the cylindrical surface of the upper ram.	Clean the ram with the scraper supplied.
	The top closure has been dropped on the floor/table, causing a bulge in the edge of the ram.	Replace the upper ram.



*LaboPress-3*  
*Instruction Manual*

Error	Cause	Action
	Damage to the threaded connection in the top closure or to the upper ram.	Remove the upper ram from the top closure (see instructions in chapter Maintenance). Try both the following procedures to identify the problem: <ul style="list-style-type: none"> <li>▪ Try to mount the top closure, without the upper ram. If this is not possible, call a Struers service technician.</li> <li>▪ Try to insert the disconnected upper ram into the mounting cylinder. If this is not possible, call a Struers service technician.</li> </ul>
The top closure cannot be screwed down completely.	Dirt in the threads on the top closure and the mounting cylinder.	Clean the threads. Use only a dry lubricant powder.
	The disc for thermal insulation, placed on the top of the upper ram, has a larger diameter than the upper ram.	Call a Struers service technician.
The top closure can not be loosened.	<p>The top closure has not been turned <math>\frac{1}{4}</math> turn back before starting the process.</p> <p>Cured resin on the cylindrical surface of the top ram.</p> <p>Dirt in the threads of the top closure.</p>	<p>To release the top closure:</p> <ul style="list-style-type: none"> <li>- Move the lower ram up and down several times.</li> </ul> <p>If this does not help:</p> <ul style="list-style-type: none"> <li>- Put heating on for 1 min. and try again.</li> </ul> <p>If this does not help:</p> <ul style="list-style-type: none"> <li>- Complete a mounting process without force, but with heating and cooling time of about 15 min.</li> </ul> <p>If this does not help:</p> <ul style="list-style-type: none"> <li>- Remove the two handles on the top closure.</li> <li>- Remove the plastic cover from the top closure (See Maintenance).</li> <li>- Loosen the top closure with a fork spanner.</li> </ul>

## 7. Maintenance

### Daily Service

- Clean all accessible surfaces with a moist cloth.

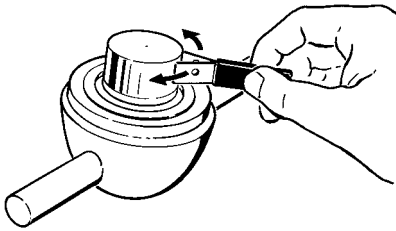
### Monthly Service

#### *Cleaning under the Lower Ram*

When mounting, some old cured resin will fall down from the lower ram and built up underneath. The cured resin must be cleaned away, to avoid it harming the machine. The axle journal securing the lower ram has been designed to break in this case, thus preventing serious damage to the machine.

- Remove the mounting unit. See this section.
- Remove the resin under the lower ram with a cloth or a soft brush.
- Install the mounting unit. See this section.

### Cleaning the Rams



Before each mounting, check that there is no resin left on the flat surface of the rams from previous operations. Clean the cylindrical surface of the upper ram and optional intermediate ram as this may cause problems with travel in the cylinder and mounting the top closure. Cured resin can easily be removed without any damage to the surface of the rams using the scraper supplied.

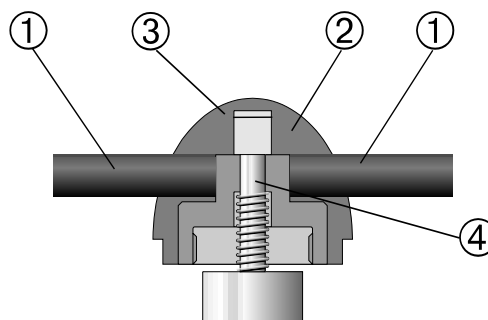
If the rams have been scratched on the polished surfaces, disassemble and polish them with 6 or 3  $\mu\text{m}$  diamonds on a polishing cloth.

#### **IMPORTANT**

Do not polish the surface on the sides of the rams. If the sides of the rams are heavily scratched, they must be scrapped.

### Removing the Upper Ram

- Take the cover plugs out of the ends of the handles and unscrew them with an allen key. (pos. 1).
- Remove the plastic cover (pos.2).
- Lift the upper ram and remove the lock washer (pos.3).
- Pull out the upper ram. Do not remove the rod (pos. 4) from the upper ram unless absolutely necessary.
- If it is necessary to remove the rod, hold the upper ram in a vice or a similar device. The ram surface must be protected with plastic or soft metal.



- ① Handle
- ② Plastic cover
- ③ Lock washer
- ④ Rod

### Lubricating the Threads for the Top Closure

In case there is any friction in the threads, they should be lubricated with a dry lubricant such as MoS<sub>2</sub> powder or graphite.

**IMPORTANT**

Please observe that the threads in the joint between the top closure and the mounting cylinder must not be lubricated with oil or grease. As the mounting cylinder operates at high temperatures, only a dry lubricant, resistant to high temperatures, can be used.

### Decalcifying the Cooling Coil in the Mounting Unit

When using cooling water from the mains tap in areas with a high chalk or mineral content, deposits can build up in the cooling coil. This may reduce the cooling effect, so once a year the cooling coil should be decalcified.

- Remove the mounting unit. (See this section.)
- Flush the coil with a mild decalcifying fluid, such as that used for coffee machines.
- Flush the cooling coil with clean water.
- Re-install the mounting unit.

## Replacing the Cooling Water

*Only relevant when a Recirculation Cooling Unit is connected:*

- Replace the cooling water in the Recirculation Cooling Unit at least once a month.
- Place a Disposable Plastic Container (TREPO) in the tank and fold it over the edge.
- Fill the tank with 30 l of water. NB! Too high a level of coolant in the tank might damage the pump.
- Add Struers Additive according to the instructions.
- Put the lid on the tank.
- Place the pump in the lid

## Checking the Recirculation Cooling Unit

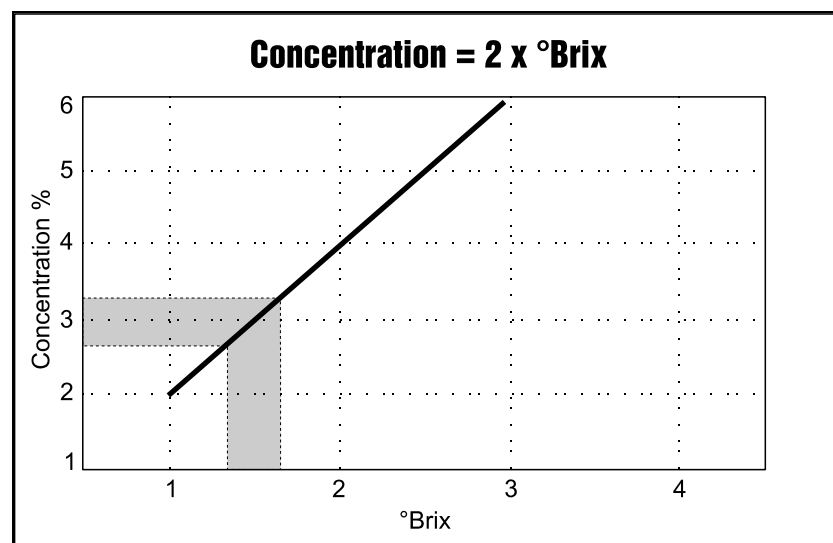
### **IMPORTANT**

Always maintain the correct concentration of Struers Additive in the cooling water (percentage stated on the container of the Additive). Remember to add Struers Additive each time you refill with water.

The cooling unit should be checked for cooling water every week and refilled when the flushing pump cannot reach the cooling water. Remember to add Struers Additive for Cooling Fluid: One part of Additive for 33 parts of water.

The concentration of additive should always lie between 2.7 and 3.3%; the pH should be around 9. Replace the cooling water if pH is  $\leq 8.0$ .

To check the concentration of additive, use a refractometer (0-10 Brix, see diagram.). Concentration =  $2 \times \text{Brix}$ . Add Struers Additive for Cooling Fluid if the concentration is lower than 2.7%. Add water if the concentration is higher than 3.3%.



## 8. Technical Data

Subject		Specifications	
		Metric/International	US
Mounting Units (Optional)	Diameter	25, 30, 40, 50 mm	1¼" 1½"
Compression	Force on piston rod	Variable between 0 - 50 kN	Variable between 0 - 12000 Lbf
Heating (with pressure on)	Temperature	150/180 °C	302/356°F
	Time	Variable between 0 and 15 min	
Cooling (with pressure on)	Time	Variable between 0 and 15 min	
Water Supply	Tap Water or Recirculation Cooling Unit		
	Pressure for tap water	1 - 10 bar	14.5 - 145 psi
	Inlet	½" or ¾"	½" or ¾"
Supply Voltage	Power phases	1	
	Power consumption:		
	Max. Total Mounting Unit	1500W 750W	
	Voltage/frequency:	Max. continuous load	
	100-120V / 50Hz 100-120V / 60Hz 220-240V / 50Hz 220-240V / 60Hz	10A (100V) - 12A (120V) 10A (100V) - 12A (120V) 4.5A (220V)- 5.0A (240V) 4.5A (220V)- 5.0A (240V)	
Dimensions and Weight	Width	420 mm	
	Depth	580 mm	
	Height (Mounting Unit and Top Closure installed)	420 mm	
	Weight	38 kg	

# Quick Reference Card

## Placing the Specimen

- Press and hold RAM UP ▲ to raise the lower ram to its upper limit.
- Apply “*Mould Release Agent*” to the surface of the lower ram.
- Place the specimen on the ram.

## Pouring Resin over the Specimen

- Press and hold RAM DOWN ▼ to lower the ram to its lower limit.
- Fill a suitable amount of resin into the cylinder through the funnel.

## Installing the Top Closure

- Remove resin dust from the upper part of the mounting cylinder.
- Clean the cylindrical surface of the upper ram. Cured resin can easily be removed without damage to the surface of the ram using the scraper supplied.
- Apply “*Mould Release Agent*” to all accessible surfaces of the upper ram.
- Place the top closure with the upper ram on the mounting cylinder.
- Press the top closure straight down, turning it counter-clockwise until you hear a click.
- Press the top closure down and turn it clockwise until its lower limit.
- Turn the top closure a quarter of a turn back.

## Starting the Mounting Process

- Set the force.
- Set the heating time.
- Set the heating temperature (180/150°C).
- Set the cooling time.
- Press START ◇, and the process will run automatically.

## Stopping the Mounting Process

- The machine automatically stops and relieves the pressure when the cooling time has elapsed.

## Removing the Top Closure

When the mounting process is finished:

- Turn the top closure counter-clockwise until released from the thread.
- Press RAM UP ▲ to raise the lower ram to its upper limit.
- Place the top closure in the top closure holder.

# LaboPress-3



## Gebrauchsanweisung

Handbuch Nr.: 15087003

Auslieferungsdatum 11.01.2008







Inhaltsverzeichnis	Seite
Benutzerhandbuch .....	1
Referenzhandbuch .....	13
Schnellinformation .....	24

---

Geben Sie bitte bei technischen Anfragen oder bei der Bestellung von Ersatzteilen immer die *Seriennummer* und die *Spannung/Frequenz* an. Diese Angaben finden Sie auf dem am Gerät angebrachten Typenschild. *Datum* und *Artikelnummer* der Gebrauchsanweisung sind uns u.U. ebenfalls mitzuteilen. Diese Information finden Sie auf dem Deckblatt der Gebrauchsanweisung.

Beachten Sie bitte die nachstehend genannten Einschränkungen.

**Gebrauchsanweisungen:** Eine von der Firma Struers veröffentlichte Gebrauchsanweisung darf nur in Zusammenhang mit den Struers Geräten benützt werden, für die diese Gebrauchsanweisung ausdrücklich bestimmt ist.

**Wartungshandbücher:** Ein von der Firma Struers veröffentlichtes Wartungshandbuch darf nur von ausgebildeten Technikern benutzt werden, die von Struers dazu berechtigt wurden. Das Wartungshandbuch darf nur in Zusammenhang mit dem Struers Gerät benützt werden, für das dieses Wartungshandbuch ausdrücklich bestimmt ist.

Struers übernimmt für Irrtümer in Text und Bild der Veröffentlichungen keine Verantwortung. Wir behalten uns das Recht vor, den Inhalt der Gebrauchsanweisungen und Wartungshandbücher jederzeit und ohne Vorankündigung zu ändern. In den Gebrauchsanweisungen und Wartungshandbüchern können Zubehör und Teile erwähnt sein, die nicht Gegenstand oder Teil der laufenden Geräteversion sind.

Inhalt von Gebrauchsanweisungen/Wartungshandbücher ist Eigentum der Firma Struers. Kein Teil dieser Veröffentlichungen darf ohne schriftliche Genehmigung von Struers reproduziert werden.

Alle Rechte vorbehalten © Struers 2008.

**Struers A/S**  
Pederstrupvej 84  
DK-2750 Ballerup  
Denmark  
Telephone +45 44 600 800  
Fax +45 44 600 801

---





## LaboPress-3 Sicherheitshinweise

### Vor Gebrauch sorgfältig lesen

1. Der Benutzer sollte sich anhand der Gebrauchsanweisung mit dem Gebrauch des Gerätes ausgiebig vertraut machen
2. Die Maschine muß in gut belüftetem Raum und in geeigneter Arbeitshöhe auf einem Tisch aufgestellt werden.
3. Vergewissern Sie sich, daß die vorliegende Netzspannung mit der auf der Rückseite des Gerätes und auf der Heiz/Kühleinheit angegebenen Spannung übereinstimmt. Das Gerät muß geerdet sein.
4. Prüfen Sie die Wasseranschlüsse auf korrekten Anschluß und Undichtheiten. Die Wasserversorgung muß während des Betriebs aufgedreht sein.  
Struers empfiehlt das der Wasseranschluss nach Arbeitsende geschlossen wird.
5. Vergewissern Sie sich, daß der Abflußschlauch in geeigneter Weise an den Abfluß angeschlossen ist.
6. Überzeugen Sie sich vor dem Start des Einbettvorgangs, ob die Einbettseinheit korrekt montiert ist.
7. Bevor Sie die Presse in Gang setzen sollten Sie nachprüfen, ob der obere Stempel im Einbettzylinder entweder richtig eingebaut, oder ganz daraus entfernt ist.
8. Die Einbettpresse nicht mit höherer Kraft/Druck arbeiten lassen als es in den Struers Anwendungshilfen für das Warmeinbetten für den verwendeten Zylinderdurchmesser angegeben ist.
9. Bevor der Einbettzylinder im Anschluß an einen Heizzyklus geöffnet wird, sollte er sich mindestens zwei Minuten lang abkühlen.
10. Während des Aus/Einbaus der Einbettseinheit darf das Gerät nicht in Gang gesetzt werden.

---

Für die Benutzung der Geräte bzw. der Maschinen sind die Verbrauchsmaterialien von Struers vorgesehen. Falls unzulässiger Gebrauch, falsche Installation, Veränderung, Vernachlässigung, unsachgemäße Reparatur oder ein Unfall vorliegt, übernimmt Struers weder die Verantwortung für Schäden des Benutzers, noch für solche am Gerät.

Die für Kundendienst und Reparatur erforderliche Demontage irgendwelcher Teile des Gerätes bzw. der Maschine sollte immer nur von qualifiziertem Fachpersonal (Elektromechanik, Elektronik, Pneumatik usw.) vorgenommen werden.

---



# Benutzerhandbuch

Inhaltsverzeichnis	Seite
<b>1. Zu Beginn</b>	
Packungsinhalt prüfen .....	2
LaboPress-3.....	2
Einbetteinheit.....	2
LaboPress-3 auspacken .....	2
LaboPress-3 aufstellen .....	2
Transportschraubkappe .....	2
LaboPress-3 kennenlernen.....	3
Geräuschpegel.....	4
Netzanschluß .....	4
Wasseranschluß.....	4
Wasserzufluß .....	4
Wasserabfluß .....	4
Einbetteinheit zusammenbauen.....	5
Abdeckung abnehmen .....	5
Unteren Stempel einbauen .....	5
Einbetteinheit montieren.....	5
Abdeckung montieren .....	6
Staubschutzring anbringen.....	6
Einbetteinheit zerlegen .....	6
Unteren Stempel absenken.....	6
Staubschutzring abnehmen .....	6
Abdeckung abnehmen .....	6
Einbetteinheit ausbauen .....	7
Entfernen des Unterstempels .....	7
Einbetteinheit auswechseln .....	7
<b>2. Grundzüge der Bedienung</b>	
Gebrauch der Bedienelemente .....	8
Bedienungsfeld des LaboPress-3 .....	8
Akustische Signale .....	8
Hauptschalter .....	8
Probe einlegen.....	10
Einbettmittel über die Probe gießen .....	10
Zwei Proben einlegen.....	10
Verschluß aufsetzen .....	11
Einbettvorgang starten .....	12
Vorheizen mit niedrigem Druck .....	12
Einbettvorgang stoppen .....	12
Verschluß abnehmen .....	12

## 1. Zu Beginn

### Packungsinhalt prüfen

#### LaboPress-3

Folgende Gegenstände sollten in der Verpackung enthalten sein:

- 1 LaboPress-3 Gerät
- 1 Druckschlauch
- 1 Filterdichtung
- 1 Dichtung
- 1 Reduktionsring mit Dichtung
- 2 Meßlöffeln für Einbettmittel
- 1 Trichter
- 1 Luftfilter
- 1 Manualsatz

#### Einbettseinheit

- 1 Einbettseinheit
- 1 Verschluß mit oberem Stempel
- 1 Unterer Stempel
- 1 Stempelstift
- 1 Staubschutzring
- 1 Anti-Haftmittel (FASTI)
- 1 Schaber (PROAN)

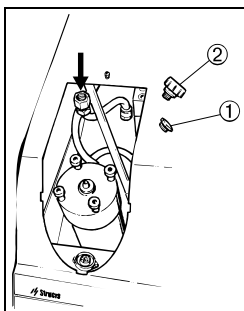
### LaboPress-3 auspacken

Nehmen Sie LaboPress-3 vom Boden der Verpackung ab; dazu entfernen Sie die vier Schrauben von der Unterseite her.

### LaboPress-3 aufstellen

LaboPress-3 sollte auf einem stabilen Tisch in geeigneter Arbeitshöhe aufgestellt werden. Das Gerät muß sich in Nähe des Netzanschlusses, der Wasserversorgung und des Wasserabflusses befinden. Falls eine Wasserkühlung verwendet wird, muß für die Umlaufkühlung (TRECI) unter dem Tisch ausreichend Platz zur Verfügung stehen.

### Transportschraubkappe



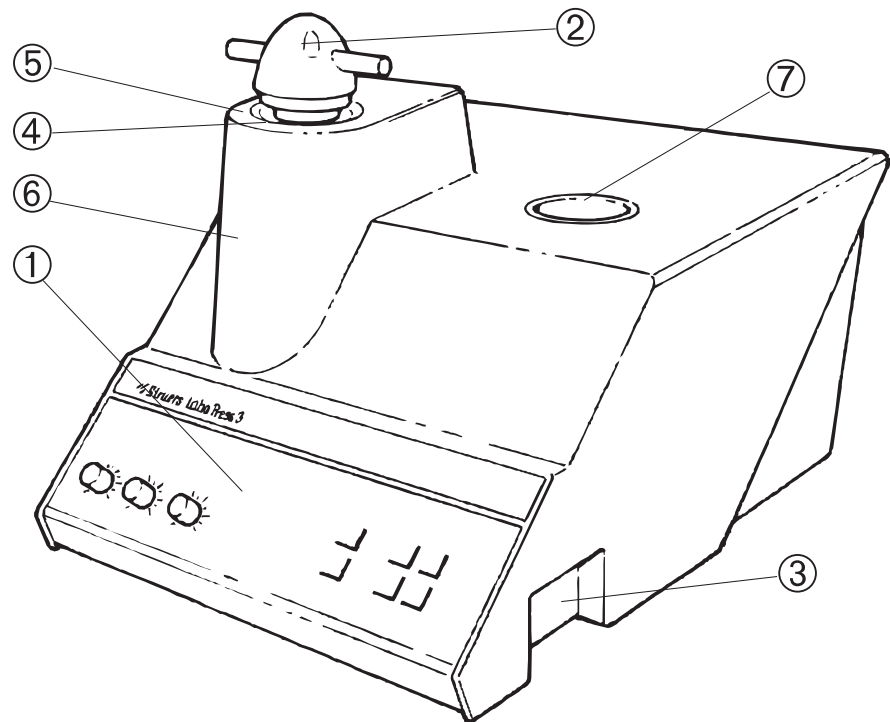
Folgender Vorgang muß durchgeführt werden, bevor das Gerät in Betrieb genommen wird:

Die Transportschraubkappe ① mit dem Luftfilter ② austauschen um den Druck im hydraulischen System auszugleichen.

Die Transportschraubkappe ① ist unter dem Deckel für die Einbettseinheit angebracht.

**LaboPress-3 kennenlernen**

Nehmen Sie sich einen Augenblick Zeit, um Lage und Bezeichnung aller Teile des LaboPress-3 kennenzulernen.



- ① Bedienungsfeld
- ② Verschuß
- ③ Hauptschalter
- ④ Einbetteinheit
- ⑤ Staubschutz
- ⑥ Abdeckung der Einbetteinheit
- ⑦ Halterung für den Verschuß

## Geräuschpegel

Der Geräuschpegel der Maschine beträgt etwa 60 dB (A), gemessen bei laufender Pumpe in einer Entfernung von 1,0 m/39.4" zum Gerät.

## Netzanschluß

LaboPress-3 wird mit elektrischem Anschlußkabel geliefert. Bringen Sie einen Stecker am Kabel an, und schließen Sie die Maschine an das Netz an:

Braun: Phase  
Blau: Neutral  
Gelb/grün: Erde

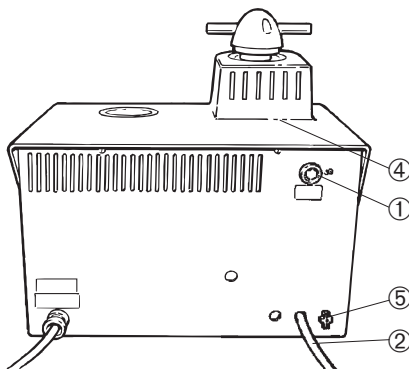
### **WICHTIG**

Das Typenschild des Gerätes gibt die zulässige Spannung an. Prüfen Sie bitte nach, ob diese mit der vorliegenden Netzspannung übereinstimmt. Das Gerät darf nicht gestartet werden bevor die Transportschraubkappe nicht gegen den Luftfilter ausgetauscht wurde.

## Wasseranschluß

Kühlwasser kann aus dem Leitungsnetz oder einer Umlaufkühlung bezogen werden.

### Wasserzufluß



- ① Wasserzufluß
- ② Wasserabfluß

Bringen Sie den Druckschlauch am Wassereintritt (Pos. 1) auf der Rückseite des Gerätes an:

- Legen Sie die Filterdichtung so in die Verschraubung der Kupplung, daß deren flache Seite am Druckschlauch anliegt.
- Ziehen Sie die Verschraubung der Kupplung ausreichend fest an.

Das andere Ende des Druckschlauchs verbinden Sie mit dem Wasserhahn der Kaltwasserversorgung:

- Falls erforderlich, schrauben Sie den Reduktionsring samt Dichtung an den Wasserhahn.
- Legen Sie die Dichtung ein, und ziehen Sie die Verschraubung der Kupplung ausreichend fest an.

### **WICHTIG**

Nur an die Kaltwasserversorgung anschließen

### Wasserabfluß

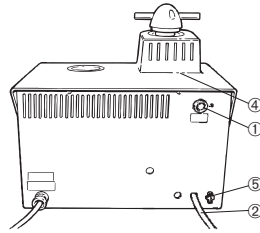
- Führen Sie den Rücklaufschlauch (Pos. 2) zum Abfluß. Vergewissern Sie sich, daß er auf ganzer Länge ein gleichmäßiges Gefälle aufweist und nirgendwo abgeknickt ist.
- Bringen Sie den Abflussschlauch am Abflußsystem an.



### Einbetteneinheit zusammenbauen

*Abdeckung abnehmen*

- Den Schnappverschluß lösen (Pos. 4).
- Durch leichten Druck rechts und links auf die Abdeckung kommt diese frei; heben Sie sie ab.



#### ④ Schnappverschluß

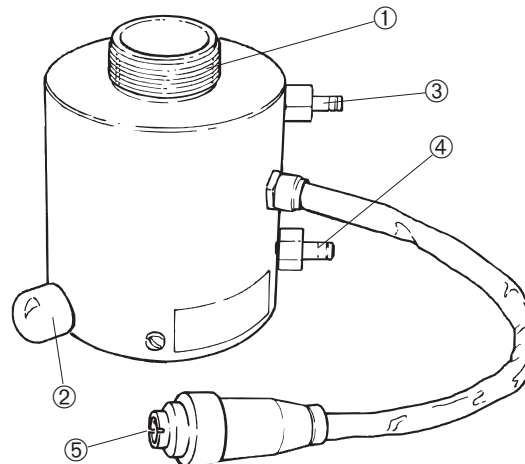
*Unteren Stempel einbauen*

- Den Untertempel auf die Stempelstange anbringen
- Den Unterstempel so drehen, daß die Löcher in der Stange und der Stempel übereinstimmen und setzen Sie den Stempelstift ein
- Vergewissern Sie sich, daß der Stift nicht herausragt.

#### **WICHTIG**

Der Achszapfen ist ein Teil des Sicherheitsmechanismus des Gerätes, um das Gerät gegen Schäden zu schützen. Sehen Sie: Wartung. Falls er bricht darf er nur mit einem originalen Struers Ersatzstift ersetzt werden, da die Sicherheitsmechanismen sonst nicht optimal sind.

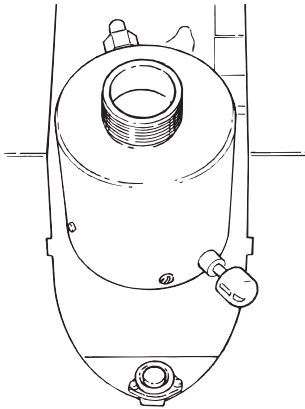
*Einbetteneinheit montieren*



- ① Einbettzylinder
- ② Feststellschraube
- ③ Obere Schnellkupplung für das Kühlwasser
- ④ Untere Schnellkupplung für das Kühlwasser
- ⑤ Stecker

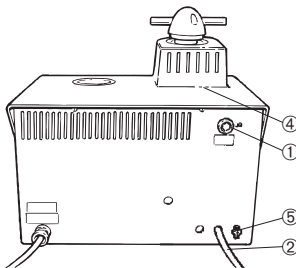
#### **WICHTIG**

Beim Einbau der Einbetteneinheit darf das Gerät nicht eingeschaltet werden.



- Schrauben Sie die Feststellschraube etwa 10 mm heraus.
- Führen Sie den Einbettzylinder so über den unteren Stempel, daß die Feststellschraube die in der Zeichnung gezeigte Lage einnimmt.
- Drehen Sie die Einbetteinheit im Uhrzeigersinn bis sie stoppt.
- Ziehen Sie die Feststellschraube vollständig an.
- Bringen Sie den Schlauch mit dem geraden Kupplungsstück an der unteren Schnellkupplung der Einbetteinheit (Pos. 4) an, und stellen Sie die Verbindung durch Zusammenschieben der Kupplungsstücke her. Achten Sie darauf, daß der Ring bis zum Anschlag in die Schnellkupplung hineingeschoben wird.
- Bringen Sie den Schlauch mit dem abgewinkelten Kupplungsstück an der oberen Schnellkupplung der Einbetteinheit (Pos. 3) an, und stellen Sie die Verbindung durch Zusammenschieben der Kupplungsstücke her. Achten Sie darauf, daß der Ring bis zum Anschlag in die Schnellkupplung hineingeschoben wird.
- Verbinden Sie den Stecker (Pos. 5) mit der Stellvorrichtung. Ziehen Sie die Überwurfmutter an.

#### Abdeckung montieren



④ Schnappverschluss

- Haken Sie die vorne liegende Klaue der Abdeckung in die entsprechende Aussparung am Rand des Gehäuses ein.
- Führen Sie die beiden seitlich an der Abdeckung liegenden Klauen in das Gerätegehäuse ein. Drücken Sie leicht auf die Seiten der Abdeckung.
- Die Rückseite des Deckels festdrücken, so daß der Schnappverschluss einschnappt.

#### Staubschutzring anbringen

Bringen Sie den Staubschutzring um den Einbettzylinder herum an. Die konkave Seite soll dabei nach oben zeigen.

#### Einbetteinheit zerlegen

##### Unteren Stempel absenken

- Schalten Sie das Gerät mit dem Hauptschalter ein.
- Mit der Taste **STEMPEL AB ▼** bewegen Sie den unteren Stempel in seine tiefste Lage.

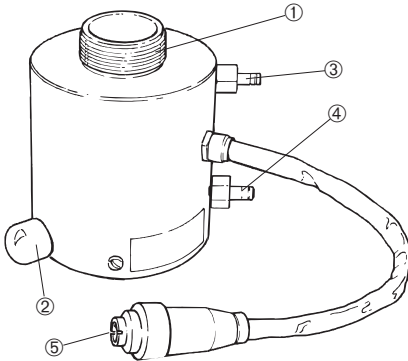
#### Staubschutzring abnehmen

Nehmen Sie den Staubschutzring ab.

#### Abdeckung abnehmen

- Den Schnappverschluss lösen (Pos. 4).
- Durch leichten Druck rechts und links auf die Abdeckung kommt diese frei; heben Sie sie ab.

### Einbetteinheit ausbauen



**WICHTIG**  
Beim Ausbau der Einbetteinheit darf das Gerät nicht eingeschaltet werden.

- ① Einbettzylinder
- ② Feststellschraube
- ③ Obere Schnellkupplung für das Kühlwasser
- ④ Untere Schnellkupplung für das Kühlwasser
- ⑤ Stecker

- Lösen Sie die Überwurfmutter der Steckverbindung. Ziehen Sie den Stecker (Pos. 5).
- Nehmen Sie den Schlauch mit dem abgewinkelten Kupplungsstück von der oberen Schnellkupplung der Einbetteinheit (Pos. 3). Ziehen Sie den Ring ab. Warten Sie 5 Sekunden lang, bis das Wasser aus der Kühlschlange ausgeflossen ist.
- Nehmen Sie den Schlauch mit dem geraden Kupplungsstück von der unteren Schnellkupplung der Einbetteinheit (Pos. 4). Ziehen Sie den Ring ab.
- Drehen Sie die Feststellschraube etwa 10 mm heraus.
- Drehen Sie die Einbetteinheit so lange gegen den Uhrzeiger, bis sie stoppt.
- Heben Sie die Einbetteinheit ab.

### Entfernen des Unterstempels

- Den Stempelstift aus dem Unterstempel drücken.

**WICHTIG**  
Der Achszapfen ist ein Teil des Sicherheitsmechanismus des Gerätes, um das Gerät gegen Schäden zu schützen. Sehen Sie: Wartung. Falls er bricht darf er nur mit einem originalen Struers Ersatzstift ersetzt werden, da die Sicherheitsmechanismen sonst nicht optimal sind.

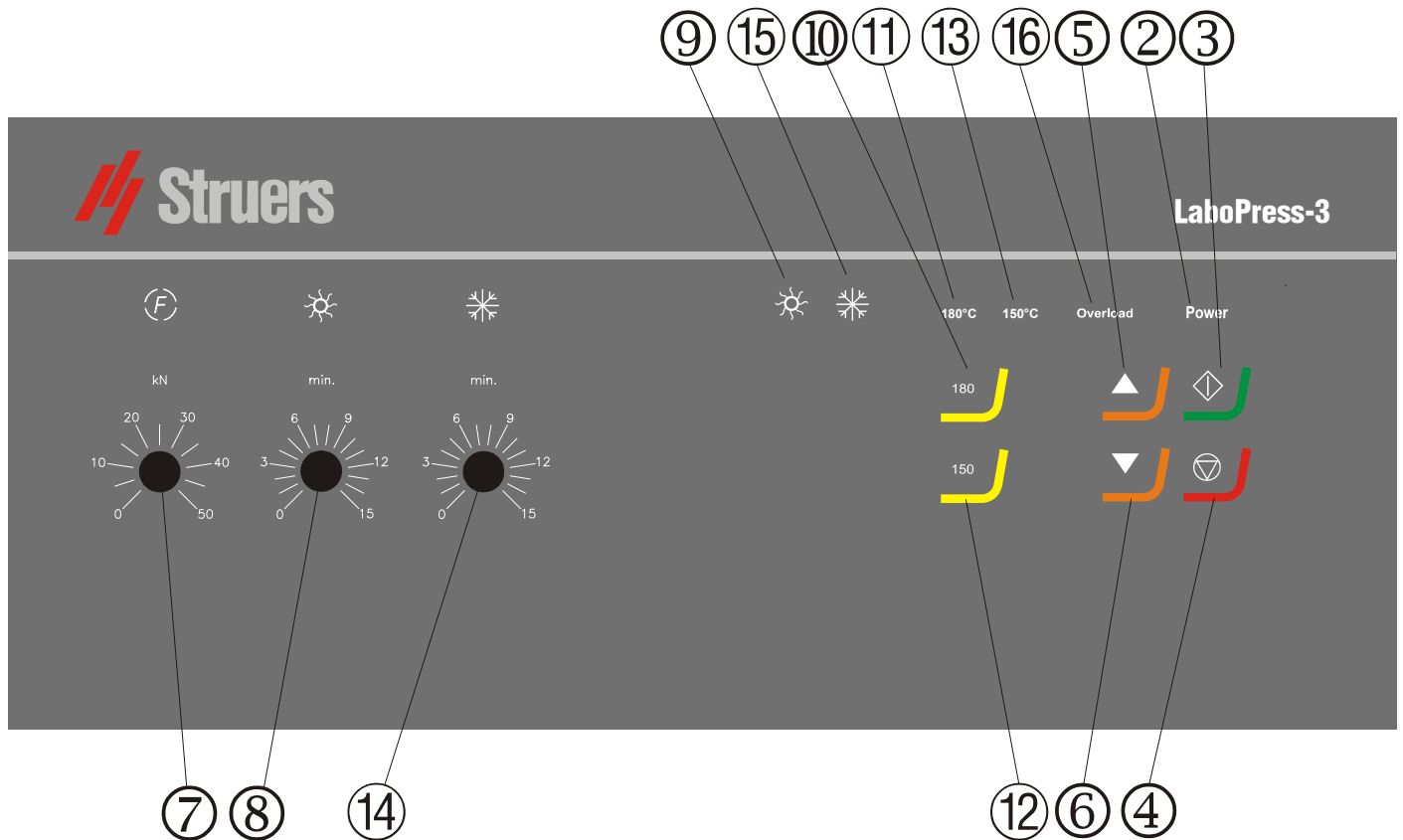
### Einbetteinheit auswechseln

Folgen Sie den Anweisungen zum Aus/Einbau der Einbetteinheit.

## 2. Grundzüge der Bedienung

### Gebrauch der Bedienelemente

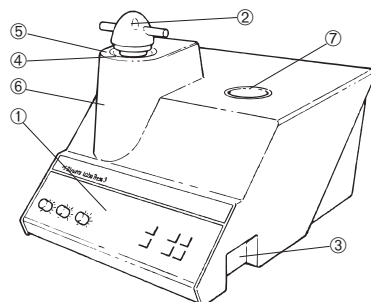
Bedienungsfeld des  
LaboPress-3



### Akustische Signale

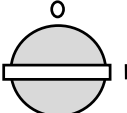
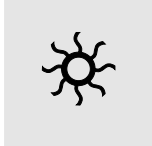
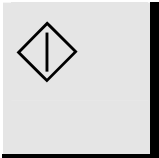
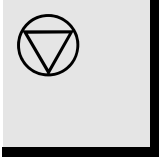
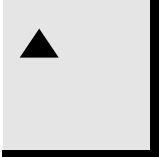
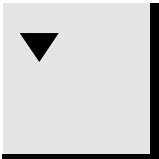




- 🔔 Ein kurzer Ton zeigt an, daß die erfolgte Tastatureingabe registriert wurde.
- 🔔 Ein langer Ton weist darauf hin, daß der Befehl dieser Taste augenblicklich nicht zur Verfügung steht.
- 🔔 Drei lange Töne signalisieren die Beendigung des Einbettvorgangs.

### Hauptschalter



- ① Bedienungsfeld
- ③ Hauptschalter

*LaboPress-3*  
*Gebrauchsanweisung*

Pos. Nr.	Taste	Funktion	Pos. Nr.	Taste	Funktion
① HAUPT-SCHALTER		Schaltet die Stromversorgung ein/aus. Der Hauptschalter liegt rechts am Gehäuse der Maschine.	⑨ ANZEIGE HEIZUNG		Leuchtet bei eingeschalteter Heizung.
② NETZ	<b>POWER</b>	Leuchtet bei eingeschaltetem Netz.	⑩ HEIZEN	<b>180°C</b>	Heiztemperatur von 180°C wird eingestellt.
③ START		Startet den automatischen Einbettvorgang.	⑪ ANZEIGE HEIZEN	<b>180°C</b>	Leuchtet, wenn die Heiztemperatur 180°C eingestellt ist.
④ STOP		Stoppt den Einbettvorgang mit automatischem Druckabfall. Stoppt die Bewegung des unteren Stempels.	⑫ HEIZEN	<b>150°C</b>	Heiztemperatur von 150°C wird eingestellt.
⑤ STEMPEL AUF		Startet Aufwärtsbeweg. des unteren Stempels. Nach dem Start: stoppt die Aufwärtsbewegung des unteren Stempels. Stempel stoppt autom. bei Erreichen der obersten Lage.	⑬ ANZEIGE HEIZEN	<b>150°C</b>	Leuchtet, wenn die Heiztemperatur 150°C eingestellt ist.
⑥ STEMPEL AB		Startet Abwärtsbeweg. des unteren Stempels. Nach dem Start: stoppt die Abwärtsbewegung des unteren Stempels. Stempel stoppt autom. bei Erreichen der unterste Lage.	⑭ KÜHLUNG		Knopf zum Einstellen der Kühlzeit..
⑦ KRAFT		Knopf zum Einstellen der Kraft (Druck).	⑮ ANZEIGE KÜHLUNG		Leuchtet bei eingeschalteter Kühlung.
⑧ HEIZUNG		Knopf zum Einstellen der Heizzeit.	⑯ ÜBERLAST	<b>OVERLOAD</b>	Leuchtet bei Überlastung des Motors.

### Probe einlegen

- Drücken und halten Sie die Taste **STEMPEL AUF ▲**, um den unteren Stempel in seine oberste Lage zu fahren.
- Tragen Sie das Anti-Haftmittel auf die Oberfläche des unteren Stempels auf.
- Legen Sie die Probe auf den unteren Stempel. Die Probe muß sauber, trocken und fettfrei sein. Damit Risse im Einbettmittel vermieden werden, muß der Abstand der Probe von der Zylinderwand mindestens 3 mm betragen.

### *Einbettmittel über die Probe gießen*

- Drücken und halten Sie die Taste **STEMPEL AB ▼**, um den unteren Stempel in seine unterste Lage zu fahren.
- Mit Hilfe des beiliegenden Trichters gießen Sie die geeignete Menge Einbettmittel in den Zylinder.

Es muß **immer** genügend Resin im Zylinder sein um die Probe auch unter Druck zu decken. Bedenken Sie bitte daß das Volumen des granulieren Resines kleiner wird, wenn es unter Druck kommt. Ist zu wenig Resin eingefüllt können die Stempel auf die Probe drücken und der Zylinder kann zerstört werden

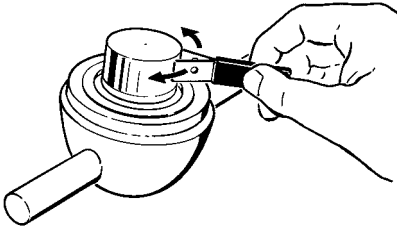
#### **WICHTIG**

Damit das Anti-Haftmittel ein Kleben des Einbettmittels an der Oberfläche verhindert, muß es immer in einer dünnen Schicht auf die Oberflächen der Einbettstempel aufgetragen werden. Mit dem Struers AntiStick kann eine dünne Schicht Pulver auf die Stempel getupft werden.

### Zwei Proben einlegen

- Gehen Sie vor, wie oben unter Proben einlegen beschrieben ist.
- Tragen Sie das Anti-Haftmittel auf die beiden Oberflächen des Zwischenstempels auf.
- Legen Sie den Zwischenstempel oben auf das Einbettmittel.
- Legen Sie die zweite Probe auf den Zwischenstempel, und füllen Sie die geeignete Menge Einbettmittel in den Zylinder. Nochmals, versichern Sie sich, daß genügend Resin eingefüllt ist!

### Verschuß aufsetzen

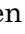


- Entfernen Sie den Staub des Einbettmittels vom oberen Teil des Einbettzylinders.
- Die zylindrische Oberfläche des oberen Stempels reinigen. Gehärtetes Einbettmittel läßt sich einfach entfernen, ohne die Oberfläche des Stempels zu beschädigen, wenn der mitgelieferte Schaber verwendet wird.
- Tragen Sie das Anti-Haftmittel auf die Oberfläche des oberen Stempels auf.
- Setzen Sie den Verschuß mit dem oberen Stempel auf den Einbettzylinder.
- Drücken Sie den Verschuß nach unten und drehen Sie ihn dabei im Uhrzeigersinn bis Sie ein Klicken hören.
- Drehen Sie den Verschuß eine Vierteldrehung zurück.

#### **WICHTIG**

Falls der Stempel nicht in den Zylinder paßt, kontrollieren Sie ob sich ausgehärtetes Einbettmittel auf Stempel und Zylinder befindet. Die Toleranz des Spiels zwischen Zylinder und Stempel ist ziemlich gering, weshalb selbst geringe Einbettmittelrückstände Probleme verursachen können.


### Einbettvorgang starten

- Stellen Sie die Kraft ein.
- Stellen Sie die Heizzeit ein.
- Stellen Sie die Heiztemperatur ein (180/150°C).
- Stellen Sie die Kühlzeit ein.
- Drücken Sie die Taste START , und der Vorgang läuft automatisch ab.
- Der Ablauf des Einbettvorgangs kann mit Hilfe der Kontrollanzeigen für Heizung und Kühlung verfolgt werden.

### *Vorheizen mit niedrigem Druck*

Stellen Sie die Kraft auf einen niedrigen Wert. Erhöhen Sie die Kraft auf den richtigen Wert nach Ablauf der gewünschten Vorheizzeit.


### Einbettvorgang stoppen

- Nach Ablauf der Kühlzeit stoppt die Maschine automatisch und der Druck wird abgebaut. Während des Einbettvorgangs können Sie die Maschine jederzeit mit der Taste STOP  stoppen.

*Bevor Sie den Einbettzylinder nach einer Heizperiode öffnen, sollte er sich mindestens 2 Minuten lang abkühlen. Beachten Sie bitte, daß andernfalls die Einbettung beschädigt werden könnte.*

### Verschuß abnehmen

Wenn der Einbettvorgang beendet ist:

- Drehen Sie den Verschuß im Gegenuhrzeigersinn, und nehmen Sie ihn aus der Verschraubung heraus.
- Mit der Taste STEMPEL AUF  fahren Sie den unteren Stempel in seine höchste Lage.
- Legen Sie den Verschuß in die dafür vorgesehene Halterung.



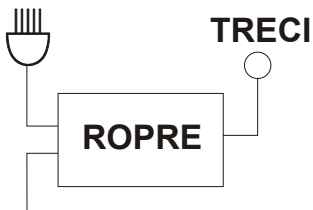
# Referenzhandbuch

Inhaltsverzeichnis	Seite
<b>1. Details und Besonderheiten der Bedienung</b>	
Installation.....	14
Umlaufkühleinheit (Optional) .....	14
Steckverbindung für Umlaufkühleinheit .....	14
<b>2. Struers Metalog Guide™</b> .....	15
<b>3. Anwendungshilfen für das Warmeinbetten</b> .....	15
<b>4. Zubehör</b> .....	16
<b>5. Verbrauchsmaterialien</b> .....	17
<b>6. Fehlersuche</b> .....	18
<b>7. Wartung</b>	
Tägliche Pflege.....	20
Monatliche Reinigung .....	20
Raum unter dem unteren Stempel reinigen .....	20
Stempel reinigen.....	20
Entfernen des Oberstempels.....	21
Schmieren der Gewinde des Verschlusses .....	21
Entkalken der Kühlspirale in der Einbetteinheit.....	21
Kühlwasser ersetzen .....	22
Umlaufkühleinheit überprüfen.....	22
<b>8. Technische Daten</b> .....	23

## 1. Details und Besonderheiten der Bedienung

### Installation

#### Umlaufkühleinheit (Optional)

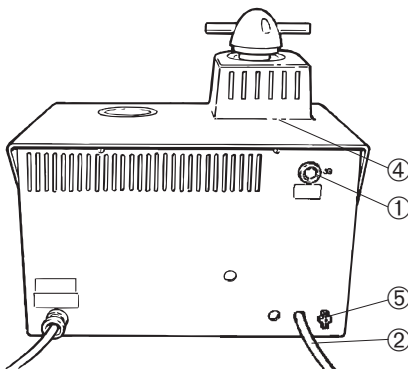


LaboPress-3/  
ProntoPress-10/ProntoPress-20

Die Umlaufkühleinheit (TRECI) wird über einen Adapter (ROPRE) an die Einbettpresse angeschlossen.

Das Kabel verbinden, das von der TRECI-Pumpe kommt, mit ROPRE, wie es das Anschlußdiagramm für ROPRE zeigt.

#### Steckverbindung für Umlaufkühleinheit



- ② Abflußschlauch
- ⑤ Steckverbindung für Umlaufkühlung

- Den Stecker des Anschlußkabels von ROPRE stecken Sie in die Steckverbindung (Pos. 5) auf der Rückseite der Einbettpresse.
- Das Kabel schließen, das von ROPRE kommt, an das Netz an.
- Vergewissern Sie sich, daß die Pumpe in der Richtung rotiert, die auf der Pumpe angegeben ist. Falls die Drehrichtung nicht stimmt, vertauschen Sie zwei der Phasen des Pumpenanschlusses an der Umlaufkühleinheit (nur dreiphasige Version).
- Ersetzen Sie das Austrittsrohr der TRECI-Pumpe durch ein Rückschlagventil mit Krümmer und sechseckigem Übergangseinschraubstutzen von ROPRE. Es empfiehlt sich, die Gewinde abzudichten.
- Verbinden Sie den Druckschlauch der Einbettpresse mit dem Einschraubstutzen. Denken Sie daran, die Dichtung einzubauen.
- Führen Sie den Abflußschlauch (Pos. 2) zum Einlaß am TRECI. Vergewissern Sie sich, daß der Abflußschlauch auf der gesamten Länge Gefälle besitzt und nicht geknickt ist.
- Verbinden Sie den Abflußschlauch mit dem Einlaß am TRECI.

## 2. Struers Metalog Guide™

Der Struers Metalog Guide™ bietet für die meisten gängigen Materialien Präparationsmethoden an, die sich an der einfachen Untersuchung zweier Schlüsseleigenschaften orientieren: Härte und Duktilität. Die richtige Methode ist ebenso leicht herauszufinden, wie die Wahl der Verbrauchsmaterialien. Wenn Sie für Ihre vorliegenden Proben die geeignete Präparationsmethode suchen, sollten Sie immer den Struers Metalog Guide™ zu Rate ziehe.

Der Struers Metalog Guide™ umfaßt 6 hilfreiche Kapitel:

*Metalogram*

Führt Sie rasch, sicher und ohne Umwege zur richtigen Präparationsmethode.

*Metalog Methoden*

Eine komplette Sammlung von Präparationsmethoden, die auf der reichen materialographischen Erfahrung von Struers beruht und dabei die Verbrauchsmaterialien von Struers berücksichtigt.

*Präparationsphilosophie*

Die Grundlagen moderner Probenpräparation aus Expertensicht.

*Metalog Verfahren*

Materialographische Präparation logisch von A-Z erklärt.

*Metalog Master*

Dieses Expertensystem berät Sie nicht nur bei der Problemlösung von Präparationsschwierigkeiten, sondern versorgt Sie auch mit breitem Hintergrundwissen über die Verfahren mechanischer Präparation.

*Metalog Code*

Hilft Ihnen beim schnellen Zugriff auf die passenden Verbrauchsmaterialien zur ausgewählten Methode.

### **Struers Metalog Guide™**

Ihr ausführlicher Ratgeber für materialographische Probenpräparation.  
Fragen Sie Ihren Fachhändler nach einem kostenlosen Exemplar des  
Metalog Guide™

## 3. Anwendungshilfen für das Warmeinbetten

Die Struers [Anwendungshilfen für das Warmeinbetten](http://www.struers.com) liefern Ihnen Einbettdaten, Tips und Tricks oder Besuchen Sie die Struers Website auf <http://www.struers.com> und sehen Sie den Abschnitt unter **Know How**.

## 4. Zubehör

<b>Gegenstand</b>	<b>Beschreibung</b>	<b>Kennwort</b>
<b>Einbettseinheit</b> bestehend aus Zylinder, unterem und oberem Stempel, Heiz/Kühleinheit und Verschuß	25 mm Durchm. 30 mm Durchm. 1 ¼" Durchm. 1 ½" Durchm. 40 mm Durchm. 50 mm Durchm.	CYNMI CYNTE CYNQU CYNHA CYNIF CYNAM
<b>Zwischenstempel</b> für die gleichzeitige Herstellung von 2 Einbettungen	25 mm Durchm. 30 mm Durchm. 1 ¼" Durchm. 1 ½" Durchm. 40 mm Durchm. 50 mm Durchm.	CYLDO CYLDO CYLDO CYLDO CYLDO CYLDO
<b>Umlaufkühleinheit</b>		TRECI
<b>Adapter</b> für die Umlaufkühleinheit für den Anschluß der Umlaufkühleinheit (TRECI) an LaboPress-3		ROPRE

## 5. Verbrauchsmaterialien

Name	Anwendung	Spezifische Eigenschaften	Material	Inhalt	Kennwort
<b>ConduFast</b> (Resin 1)	Elektrolytisches Polieren	Elektrisch leitend Sehr geringe Schrumpfung	Akryl mit Eisenpulver Füllstoff Thermoplastisch, Grau	1 kg	RESFE
<b>SpeciFast</b> (Resin 3)	Glasklare Einbettungen Poröse Proben Isolieren der Oberfläche bei ConduFast	Transparent Mittlere Schrumpfung	Akryl Thermoplastisch	1,5 kg 7,5 kg 25 kg	RESTH RESYV RESFA
<b>PolyFast</b>	Randschärfe	Sehr geringe Schrumpfung Mittlere Abtragsrate	Phenol mit Kohle Füllstoff Warmaushärtend, Schwarz	1 kg 7,5 kg	FAPSA FAPME
	Untersuchung im Rasterelektronenmikroskop	Elektrisch leitend Niedrige Emission in der Vakuumkammer			
<b>IsoFast</b> (Resin 4)	Randschärfe Planheit	Geringe Schrumpfung Niedrige Abtragsrate	Dialylphtalat mit Glasfaser Füllstoff Warmaushärtend, Grün	1 kg 7,5 kg	RESDI RETTY
<b>DuroFast</b> (Resin 5)	Randschärfe Planheit	Sehr geringe Schrumpfung gute Haftung Mittlere Abtragsrate	Epoxid mit Mineral Füllstoff Warmaushärtend, Schwarz	1 kg 7,5 kg	RESIF RESEN
<b>MultiFast</b>	Routineuntersuchungen Auffüll Einbettmittel	Geringe Schrumpfung Mittlere Abtragsrate	Phenol mit Holzmehl Füllstoff Warmaushärtend, Schwarz	2,5 kg 7,5 kg 25 kg	RESRU RESUK RESLA
<b>MultiFast Green</b>	Routineuntersuchungen Farbmarkierung	Geringe Schrumpfung Mittlere Abtragsrate	Phenol mit Holzmehl Füllstoff Warmaushärtend, Grün	2,5 kg 7,5 kg 25 kg	FAGSA FAGME FAGLA
<b>MultiFast Brown</b>	Routineuntersuchungen Farbmarkierung	Geringe Schrumpfung Mittlere Abtragsrate	Phenol mit Holzmehl Füllstoff Warmaushärtend, Braun	2,5 kg 7,5 kg 25 kg	FABSA FABME FABLA
Name	Anwendung	Spezifische Eigenschaften	Material	Inhalt	Kennwort
<b>Pre-Mount</b>	Serieneinbettung von unkomplizierten Formen	Einfach zu handhaben Geringe Schrumpfung Mittlere Abtragsrate	Phenol mit Holzmehl Füllstoff Warmaushärtend, Schwarz In Tablettenform	<b>25 mm/ 1"</b> Durchm. etwa. 1100 Stk. 10 kg	RESUN  RESGI  RESAM
				<b>30 mm/ 1.1/4"</b> Durchm. etwa. 760 Stk. 10 kg	
				<b>40 mm/ 1 1/2"</b> Durchm. etwa. 460 Stk. 10 kg	
Produkt	Anwendung	Material	Inhalt	Kennwort	
<b>Mould Release Wax</b>	Um Haftung der Einbettung an den Stempel zu vermeiden	Wachs	24 g	PREWA	
<b>AntiStick</b>	Um Haftung der Einbettung an den Stempel zu vermeiden	Sehr feines Stearatpulver	8 g	FASTI	

## 6. Fehlersuche

Anzeige/Fehler	Grund	Maßnahme
<b>Fehlermeldung</b>		
Überlastung	Motor überlastet	Lassen Sie den Motor abkühlen und starten Sie die Einbettpresse erneut. Falls dies nicht hilft, rufen Sie den Struers Kundendienst an.
<b>Akustische Signale</b>		
Langer Ton.	Befehl steht nicht zur Verfügung.	Lesen Sie in der Gebrauchsanweisung das Kapitel Grundzüge der Bedienung.
<b>Maschinenprobleme</b>		
Start nicht möglich	Heiz- und Kühlzeit sind auf Null	Stellen Sie die richtige Zeit ein.
Druck unzureichend.	Kraft/Druck sind falsch eingestellt.	Stellen Sie die Parameter richtig ein.
	Drucksystem schadhaft.	Rufen Sie den Struers Kundendienst an.
Heizung unzureichend.	Zeiten für Vorwärmen/Heizen sind falsch eingestellt.	Stellen Sie die Parameter richtig ein.
	Heizsystem schadhaft.	Rufen Sie den Struers Kundendienst an.
Kühlung unzureichend.	Kühlzeit falsch eingestellt.	Stellen Sie den Parameter richtig ein.
	Wasserhahn des Leitungswassers ist nicht/zu wenig geöffnet. Filter am Wassereintritt ist verstopft. Wassertemperatur zu hoch.	Wasserhahn öffnen. Filter reinigen.
	Wasserstand in der Umlaufkühleinheit zu gering. Wassertemperatur zu hoch.	Wasser bis zur Füllhöhe nachfüllen. Siehe Kapitel Wartung.
	Kühlsystem schadhaft.	Rufen Sie den Struers Kundendienst an.
Kühlwasser tropft unten aus der Maschine.	Schnellkupplung ist nicht richtig montiert.	Nehmen Sie die Abdeckung von der Einbetteneinheit und prüfen Sie die Anschlüsse der Schnellkupplungen.
Der Verschuß kann nicht in das Gewinde des Einbettzylinders eingedreht werden	Der Verschuß ist nicht richtig montiert	Den Verschuß direkt nach unten drücken und ihn gegen den Uhrzeigersinn drehen bis ein Klicken zu hören ist. Dann den Verschuß im Uhrzeigersinn drehen.
	Der Oberstempel ist zu warm.	Lassen Sie den Verschuß und den Oberstempel abkühlen. Einbetttemperatur herabsetzen
	Ausgehärtetes Resin im Einbettzylinder.	Den Einbettzylinder mit einer Metallbürste reinigen
	Ausgehärtetes Resin sitzt auf dem Oberstempel	Den Stempel mit dem mitgelieferten Schaber reinigen.
	Der Verschuß ist heruntergefallen und die Kante des Oberstempels ist beschädigt.	Ersetzen Sie den Oberstempel.

*LaboPress-3*  
*Gebrauchsanweisung*

Anzeige/Fehler	Grund	Maßnahme
	Das Gewinde zwischen Verschuß und Zylinder oder der Oberstempel sind beschädigt.	Den Oberstempel abnehmen (Sehen Sie Abschnitt Wartung) Beide Möglichkeiten erproben um festzustellen wo das Problem liegt: <ul style="list-style-type: none"> <li>▪ Den Verschuß ohne Oberstempel montieren. Ist das nicht möglich einen Struers Servicemitarbeiter bestellen</li> <li>▪ Den Oberstempel alleine in den Zylinder einsetzen. Ist das nicht möglich einen Struers Servicemitarbeiter bestellen</li> </ul>
Der Verschuß kann nicht völlig zugedreht werden	Schmutz auf dem Gewinde des Verschlusses und des Zylinders	Die Gewinde reinigen. Nur trockenes Schmierpulver verwenden
	Die Scheibe für die Wärmeisolation auf dem Oberstempel hat einen größeren Durchmesser als der Oberstempel	Bestellen Sie einen Struers Service Techniker
Der Verschuß kann nicht abgenommen werden.	<p>Der Verschuß ist vor dem Start des Einbettvorgangs nicht um ¼ Drehung zurückgedreht worden.</p> <p>Ausgehärtetes Einbettmaterial befindet sich auf der Zylinderoberfläche des oberen Stempels.</p> <p>Die Gewindegänge des Verschlusses sind mit Schmutz verklebt.</p>	<p>Abnehmen des Verschlusses: - den Unterstempel mehrere Male hoch und runter bewegen.</p> <p>Wenn dies nichts nutzt: -Die Heizung ca. 1 min. einschalten</p> <p>Wenn die nichts nutzt: - Den Einbettdruck auf Null stellen. - Die Heiz und Kühlzeit auf 15 min stellen. - Einen Einbettvorgang durchführen</p> <p>Wenn die nichts nutzt: - Die beiden Handgriffe vom Verschuß abschrauben. - Den Kunststoffdeckel vom Verschuß abschrauben (Sehen Sie bitte unter Wartung). --Den Verschuß mit einem Gabelschlüssel lösen.</p>

## 7. Wartung

### Tägliche Pflege

- Reinigen Sie alle zugänglichen Oberflächen mit einem feuchten Tuch.

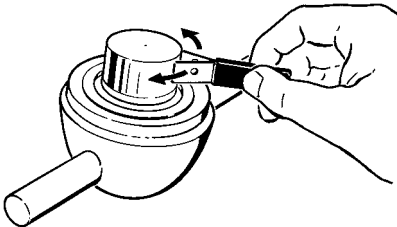
### Monatliche Reinigung

*Raum unter dem unteren Stempel reinigen*

Beim Einbetten kann ausgehärtetes Resin vom Unterstempel fallen und sich darunter aufbauen. Das ausgehärtete Einbettmittel muß entfernt werden, damit das Gerät nicht zerstört wird. Der Achszapfen im Unterstempel ist so entwickelt, daß er bricht, bevor das Gerät ernsthaft beschädigt wird.

- Nehmen Sie die Einbetteinheit ab, wie dies im entsprechenden Abschnitt beschrieben ist.
- Entfernen Sie das ausgehärtete Einbettmittel unter dem unteren Stempel mit einem Tuch oder einer weichen Bürste.
- Bringen Sie die Einbetteinheit wieder an, wie dies im entsprechenden Abschnitt beschrieben ist.

### Stempel reinigen



Überzeugen Sie sich vor jedem Einbettvorgang davon, daß aus vorangehender Benutzung kein Einbettmittel auf den Stempeln zurückgeblieben ist. Der Rand des Oberstempels und evtl. des Zwischenstempels soll ebenfalls gereinigt werden, da Einbettmittelreste Probleme beim Anbringen des Stempel im Zylinder geben können. Ausgehärtetes Einbettmittel wird leicht mit dem Schaber, der beigelegt ist, entfernt.

Falls die polierten Oberflächen der Stempel verkratzt sind, bauen Sie diese aus, und polieren Sie sie mit 6 oder 3µm Diamanten auf einem Poliertuch.

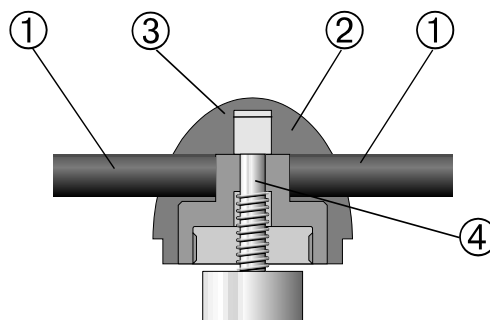
#### **WICHTIG**

Polieren Sie nicht die Seiten der Stempel. Falls diese sehr stark verkratzt sind, müssen sie ersetzt werden.



### Entfernen des Oberstempels

- Die Deckel am Ende der Handgriffe entfernen und die Handgriffe mit einem Schraubenschlüssel abschrauben (Pos. 1).
- Die Kunststoffkappe entfernen (Pos. 2).
- Den Oberstempel anheben und die Unterlegscheibe entfernen (Pos. 3).
- Den Oberstempel herausziehen. Nicht den Stab (Pos. 4) aus den Oberstempel entfernen, es sei denn es ist absolut notwendig.
- Muß der Stab entfernt werden soll der Oberstempel in einem Schraubstock oder ähnlichen anbringen. Die Stempeloberfläche muß dann geschützt werden.



- ① Handgriff
- ② Plastikcappe
- ③ Schraube
- ④ Stab

### Schmieren der Gewinde des Verschlusses

Falls Reibung in den Gewinden entsteht sollten Sie mit einem trockenen Schmiermittel wie MoS<sub>2</sub> Pulver oder Graphit geschmiert werden.

#### **WICHTIG**

Die Gewinde dürfen nicht mit Öl oder Fett geschmiert werden. Da beim Einbettvorgang mit hohen Temperaturen gearbeitet wird, dürfen nur trockene Schmiermittel, die widerstandsfähig gegen hohe Temperaturen sind, verwendet werden.

### Entkalken der Kühlspirale in der Einbetteinheit

Wird Kühlwasser aus dem Wasserhahn verwendet können sich Kalk oder andere mineralischen Ablagerungen in der Kühlspirale aufbauen. Dadurch wird die Kühlleistung reduziert und die Kühlspirale muß Entkalkt werden.

- Die Einbetteinheit entfernen (Sehen Sie hier im Abschnitt)
- Die Kühlspirale mit einem milden Entkalkungsmittel, wie es z.B. für Kaffeemaschinen verwendet wird
- Die Kühlspirale mit sauberem Wasser durchspülen.
- Die Einbetteinheit wieder montieren

## Kühlwasser ersetzen

*Nur wenn eine Umlaufkühleinheit angeschlossen ist*

- Ersetzen Sie das Kühlwasser in der Umlaufkühlung mindestens einmal im Monat.
- Legen Sie einen wegwerfbaren Plastikeinsatz (TREPO) in den Tank, und falten Sie ihn über den Rand.
- Füllen Sie 30 Liter Wasser in den Tank. Hinweis! Ein zu hoher Wasserstand im Tank kann die Pumpe beschädigen.
- Setzen Sie Struers Zusatzmittel gemäß der Angaben zu.
- Verschließen Sie den Tank mit dem Deckel.
- Setzen Sie die Pumpe in den Deckel ein.

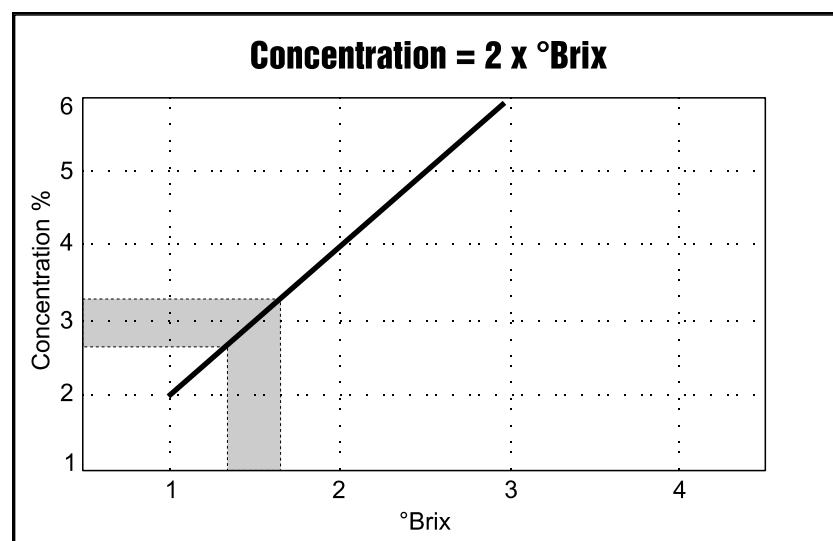
## Umlaufkühleinheit überprüfen

### WICHTIG

Achten Sie darauf, daß die Konzentration des Zusatzmittels im Kühlwasser konstant bleibt. Die Prozentangabe findet sich auf dem Behälter des Zusatzmittels. Füllen Sie gleichzeitig mit dem Wasser immer auch das Struers Zusatzmittel nach.

Der Flüssigkeitsstand in der Umlaufkühlung sollte jede Woche überprüft werden oder spätestens dann, wenn die Pumpe nicht mehr in das Kühlwasser eintaucht nachgefüllt werden. Denken Sie daran, Struers Additiv für Kühlwasser zuzusetzen, ein Teil Additiv auf 33 Teile Wasser. Die Konzentrationskontrolle des Zusatzmittels sollte immer zwischen 2,7 und 3,3% liegen und der pH-Wert sollte etwa bei 9 liegen. Wechseln Sie das Kühlwasser aus, wenn der pH-Wert = 8,0

Die Konzentration des Additivs wird mit Hilfe eines Refraktometers gemessen (0-10 Brix): Konzentration = 2 x Brix. Es wird Additiv für Kühlflüssigkeit zugesetzt wenn die Konzentration unter 2,7% ist und Wasser wenn die Konzentration höher als 3,3 % ist. Das Diagramm gibt den Zusammenhang wieder.



## 8. Technische Daten

Gegenstand		Kenndaten
Einbetteinheiten (Optional)	Durchmesser	25, 30, 40, 50 mm
Komprimieren	Kraft auf die Pleuelstange	Variabel im Bereich 0 - 50 kN
Heizen (Unter Druck)	Temperatur	150/180 °C
	Zeit	Variabel zwischen 0 und 15 min
Kühlen (Unter Druck)	Zeit	Variabel zwischen 0 und 15 min
Wasserversorgung	Leitungswasser oder Umlaufkühlung	
	Druck des Leitungswassers	1 - 10 bar
	Wassereintritt	1/2" oder 3/4"
Versorgungsspannung	Anzahl der Phasen	1
	Leistungsaufnahme:	
	Max. Gesamt Einbetteinheit	1500W 750W
	Spannung/Frequenz:	Max. Dauerlast
	100-120V / 50Hz 100-120V / 60Hz 220-240V / 50Hz 220-240V / 60Hz	10A (100V) - 12A (120V) 10A (100V) - 12A (120V) 4,5A (220V)- 5,0A (240V) 4,5A (220V)- 5,0A (240V)
Abmessungen und Gewicht	Breite	420 mm
	Tiefe	580 mm
	Höhe (Einbettpresse mit Verschuß)	420 mm
	Gewicht	38 kg

# Schnellinformation

## Probe einlegen

- Drücken und halten Sie die Taste **STEMPEL AUF ▲**, um den unteren Stempel in seine oberste Lage zu fahren.
- Tragen Sie das Anti-Haftmittel auf die Oberfläche des unteren Stempels auf.
- Legen Sie die Probe auf den unteren Stempel. Die Probe muß sauber, trocken und fettfrei sein.

## Einbettmittel über die Probe gießen

- Drücken und halten Sie die Taste **STEMPEL AB ▼**, um den unteren Stempel in seine unterste Lage zu fahren.
- Mit Hilfe des beiliegenden Trichters gießen Sie die geeignete Menge Einbettmittel in den Zylinder.

## Verschuß aufsetzen

- Entfernen Sie den Staub des Einbettmittels vom oberen Teil des Einbettzylinders.
- Die zylindrische Oberfläche des oberen Stempels reinigen. Gehärtetes Einbettmittel läßt sich einfach entfernen, ohne die Oberfläche des Stempels zu beschädigen, wenn der mitgelieferte Schaber verwendet wird.
- Tragen Sie das Anti-Haftmittel auf die Oberfläche des oberen Stempels auf.
- Setzen Sie den Verschuß mit dem oberen Stempel auf den Einbettzylinder.
- Drücken Sie den Verschuß nach unten und drehen Sie ihn dabei im Uhrzeigersinn bis Sie ein Klicken hören.
- Drehen Sie den Verschuß eine Vierteldrehung zurück.

## Einbettvorgang starten

- Stellen Sie die Kraft ein.
- Stellen Sie die Heizzeit ein.
- Stellen Sie die Heiztemperatur ein (180/150°C).
- Die Kühlzeit einstellen
- Drücken Sie die Taste **START ◇**, und der Vorgang läuft automatisch ab.

## Einbettvorgang stoppen

- Nach Ablauf der Kühlzeit stoppt die Maschine automatisch und der Druck wird abgebaut.

## Verschuß abnehmen

Wenn der Einbettvorgang beendet ist:

- Drehen Sie den Verschuß im Gegenuhrzeigersinn, und nehmen Sie ihn aus der Verschraubung heraus.
- Mit der Taste **STEMPEL AUF ▲** fahren Sie den unteren Stempel in seine höchste Lage.
- Legen Sie den Verschuß in die dafür vorgesehene Halterung.

# LaboPress-3



Mode d'emploi

Mode d'emploi no.: 15087003

Date de parution 11.01.2008





<b>Table des matières</b>	<b>Page</b>
Guide de l'utilisateur.....	1
Guide de référence.....	13
Carte de référence rapide.....	24

---

Toujours mentionner le *n° de série* et la *tension/fréquence* de l'appareil lors de questions techniques ou de commandes de pièces détachées. Vous trouverez le n° de série et la tension de l'appareil indiqués soit sur la page de garde du mode d'emploi, soit sur une étiquette collée ci-dessous. En cas de doute, veuillez consulter la plaque signalétique de la machine elle-même. La date et le n° de l'article du mode d'emploi peuvent également vous être demandés. Ces renseignements se trouvent sur la page de garde.

Les restrictions suivantes doivent être observées. Le non respect de ces restrictions pourra entraîner une annulation des obligations légales de Struers:

**Mode d'emploi:** Le mode d'emploi Struers ne peut être utilisé que pour l'équipement Struers pour lequel il a été spécifiquement rédigé.

**Manuels de maintenance:** Un manuel de service de Struers ne peut être utilisé que par un technicien spécialiste autorisé par Struers. Le manuel de service ne peut être utilisé que pour l'équipement Struers pour lequel il a été spécifiquement rédigé.

Struers ne sera pas tenu responsable des conséquences d'éventuelles erreurs pouvant se trouver dans le texte du mode d'emploi/illustrations. Les informations contenues dans ce mode d'emploi pourront subir des modifications ou des changements sans aucun avis préalable. Certains accessoires ou pièces détachées ne faisant pas partie de la présente version de l'équipement peuvent cependant être mentionnés dans le mode d'emploi. Le contenu de ce mode d'emploi est la propriété de Struers. Toute reproduction de ce mode d'emploi, même partielle, nécessite l'autorisation écrite de Struers.

Tous droits réservés. © Struers 2008.

**Struers A/S**  
Pederstrupvej 84  
DK-2750 Ballerup  
Denmark  
Telephone +45 44 600 800  
Fax +45 44 600 801

---







## **LaboPress-3**

### **Fiche de sécurité**

#### **A lire attentivement avant utilisation**

1. L'utilisateur doit être parfaitement instruit dans l'utilisation de la machine selon le mode d'emploi.
2. La machine doit être placée dans un endroit bien aéré, sur une table à hauteur adéquate pour une opération facile.
3. S'assurer que la tension utilisée corresponde à la tension indiquée au dos de la machine et sur l'unité de chauffage/refroidissement. La machine doit être mise à la terre.
4. S'assurer que les branchements d'eau soient correctement branchés et ne comportent pas de fuites. Le robinet d'eau doit être ouvert lorsque la machine est utilisée.  
Struers recommande de fermer ou de déconnecter l'alimentation en eau courante si la machine est laissée sans surveillance.
5. S'assurer que le tuyau d'écoulement est correctement branché à l'écoulement.
6. S'assurer que l'unité d'enrobage est correctement montée sur la presse avant de commencer le processus.
7. S'assurer que la fermeture supérieure avec le piston supérieur est soit correctement montée sur le cylindre d'enrobage, soit complètement retirée du cylindre d'enrobage avant de mettre la presse en marche.
8. Ne pas faire fonctionner la presse d'enrobage avec une force/pression plus élevée que celle recommandée pour le diamètre de cylindre utilisé et la résine selon le Guide d'application Struers pour l'enrobage à chaud.
9. Après l'achèvement d'un cycle de chauffage, s'assurer que le cylindre d'enrobage a refroidi pendant au moins deux minutes avant d'ouvrir.
10. Ne pas faire fonctionner la machine lors de l'assemblage ou du désassemblage de l'unité d'enrobage.

---

La machine est conçue pour être utilisée avec des articles consommables fournis par Struers. En cas de mauvais usage, d'installation incorrecte, de modification, de négligence, d'accident ou de réparation impropre, Struers n'acceptera aucune responsabilité pour les dommages causés à l'utilisateur ou à la machine.

Le démontage d'une pièce quelconque de la machine, en cas d'entretien ou de réparation, doit toujours être assuré par un technicien qualifié (en électro-mécanique, électronique, mécanique, pneumatique, etc.).

---



# Guide de l'utilisateur

Table des matières	Page
<b>1. Installation</b>	
Vérifier le contenu de l'emballage.....	2
LaboPress-3.....	2
Unité d'enrobage.....	2
Déballer LaboPress-3 .....	2
Placer LaboPress-3 .....	2
L'écrou de transport à chapeau.....	2
Se familiariser avec LaboPress-3.....	3
Niveau de bruit .....	4
Alimentation en courant .....	4
Alimentation en eau .....	4
Arrivée d'eau.....	4
Ecoulement d'eau.....	4
Assemblage de l'unité d'enrobage .....	5
Retirer le couvercle.....	5
Installer le piston inférieur.....	5
Installer l'unité d'enrobage .....	5
Installer le couvercle .....	6
Installer la bague de protection contre la poussière.....	6
Désassemblage de l'unité d'enrobage .....	6
Faire descendre le piston inférieur.....	6
Retirer la bague de protection contre la poussière .....	6
Retirer le couvercle.....	6
Retirer l'unité d'enrobage.....	7
Retirer le piston inférieur .....	7
Changer d'unité d'enrobage.....	7
<b>2. Opérations de base</b>	
Utiliser les touches de contrôle .....	8
Touches de contrôle sur la plaque avant de LaboPress-3.....	8
Signaux sonores.....	8
Interrupteur principal.....	8
Placer l'échantillon .....	10
Verser la résine sur l'échantillon.....	10
Placer deux échantillons .....	10
Installer la fermeture supérieure .....	11
Commencer le processus d'enrobage.....	12
Pré-chauffage à basse pression.....	12
Arrêter le processus d'enrobage .....	12
Retirer la fermeture supérieure.....	12

## 1. Installation

### Vérifier le contenu de l'emballage

LaboPress-3

Dans la caisse de transport se trouvent les pièces suivantes:

- 1 Machine LaboPress-3
- 1 Tuyau de pression
- 1 Joint de filtre
- 1 Joint
- 1 Bague de réduction avec joint
- 2 Cuillères de mesure pour la résine d'enrobage
- 1 Entonnoir
- 1 Filtre à air
- 1 Jeu de Modes d'emploi

### Unité d'enrobage

- 1 Unité d'enrobage
- 1 Fermeture supérieure avec piston supérieur
- 1 Piston inférieur
- 1 Bague de protection contre la poussière
- 1 Axe de piston
- 1 Produit anti-adhérent (FASTI)
- 1 Racloir (PROAN)

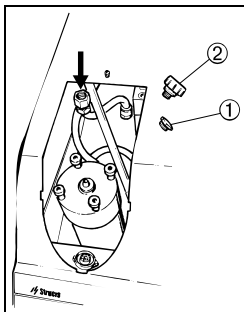
### Déballer LaboPress-3

Détacher LaboPress-3 du fond de la caisse de transport en retirant les quatre vis du dessous.

### Placer LaboPress-3

LaboPress-3 doit être placée sur une table stable à hauteur de travail adéquate. La machine doit être placée à proximité de l'alimentation en courant, d'un robinet d'eau et de l'écoulement. Si l'unité de recyclage est utilisée, s'assurer qu'il y ait la place nécessaire pour loger l'unité (TRECI) sous la table.

### L'écrou de transport à chapeau



Avant d'utiliser la machine pour la première fois, suivre la procédure suivante:

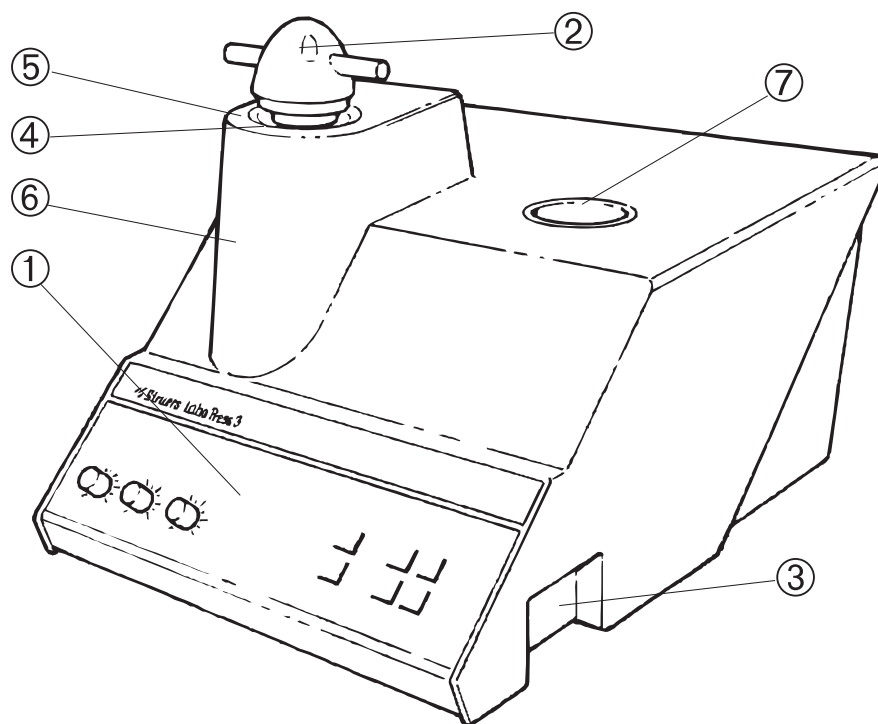
Remplacer l'écrou de transport à chapeau ① par le filtre à air inclus ② pour égaliser la pression dans le système hydraulique.

L'écrou de transport à chapeau ① est situé sous le couvercle de l'unité d'enrobage.

*LaboPress-3*  
*Mode d'emploi*

**Se familiariser avec  
LaboPress-3**

Prendre le temps de se familiariser avec l'emplacement et les noms des composants de LaboPress-3.



- ① Plaque avant
- ② Fermeture supérieure
- ③ Interrupteur principal
- ④ Unité d'enrobage
- ⑤ Bague de protection contre la poussière
- ⑥ Couvercle de l'unité d'enrobage
- ⑦ Support de la fermeture supérieure

## Niveau de bruit

Le niveau de bruit de la machine est de 60 dB (A) mesuré quand la pompe est en marche, à une distance de 1,0 m de la machine.

## Alimentation en courant

LaboPress-3 est, à l'usine, munie d'un câble électrique. Monter une prise sur le câble:

Marron: phase

Bleu: neutre

Jaune/vert: terre

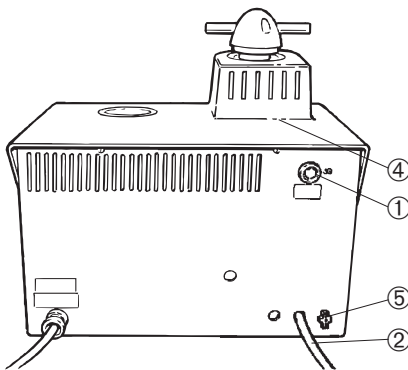
### **IMPORTANT**

Vérifier que la tension principale correspond à la tension indiquée sur la plaque signalétique de la machine. Ne pas faire fonctionner la machine avant d'avoir remplacé l'écrou de transport à chapeau par le filtre à air joint.

## Alimentation en eau

L'eau de refroidissement peut provenir du robinet d'eau courante ou d'une unité de recyclage.

### Arrivée d'eau



① Arrivée d'eau

② Tube d'écoulement d'eau

Brancher le tuyau de pression sur le tube d'arrivée d'eau (pos. 1) au dos de la machine:

- Insérer le joint du filtre dans l'écrou-raccord avec le côté plat contre le tuyau de pression.
- Serrer l'écrou-raccord totalement.

Brancher l'autre extrémité du tuyau de pression au robinet d'eau froide:

- Si nécessaire, monter la bague de réduction avec le joint sur le robinet d'eau.
- Introduire le joint et serrer l'écrou-raccord totalement.

### **IMPORTANT**

Ne brancher qu'à l'eau froide

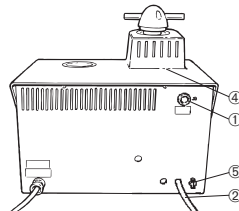
### Écoulement d'eau

- Guider le tube d'écoulement de l'eau (pos. 2) à l'écoulement et s'assurer que le tube soit correctement incliné, sans aucune obstruction.
- Brancher le tube d'écoulement de l'eau à l'écoulement.

## Assemblage de l'unité d'enrobage

*Retirer le couvercle*

- Appuyer sur le loqueteau (pos. 4).
- Appuyer doucement sur les deux côtés du couvercle pour le dégager, et le soulever.



④ Loqueteau

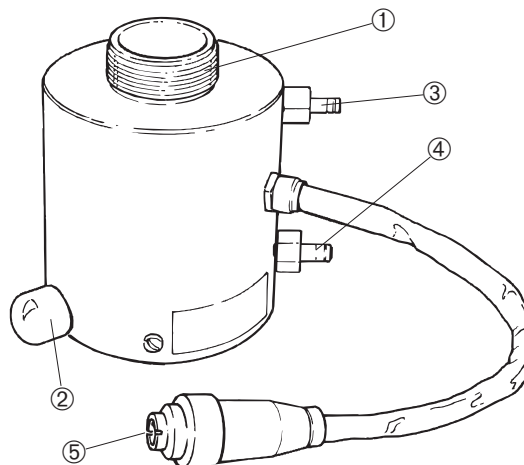
*Installer le piston inférieur*

- Placer le piston inférieur en haut de la tige de piston.
- Faire tourner le piston inférieur afin que les orifices dans le tourillon au dessus de la tige et le piston soient alignés, et insérer l'axe de piston.
- S'assurer que les extrémités de l'axe ne dépassent pas.

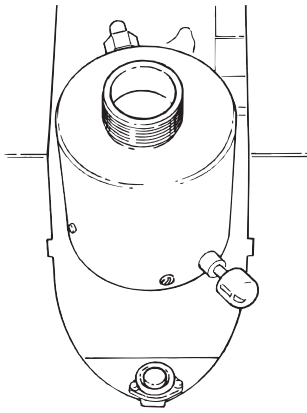
### **IMPORTANT**

Le tourillon fait partie intégrante du mécanisme de sécurité de la machine et il est conçu pour la protéger contre les dégâts. Veuillez voir: Maintenance. S'il se casse ou disparaît, il ne doit être remplacé que par une pièce de rechange Struers, sinon le mécanisme de sécurité ne pourrait plus fonctionner.

*Installer l'unité d'enrobage*



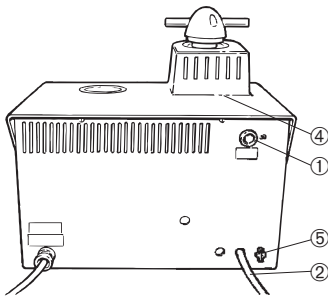
- ① Cylindre d'enrobage
- ② Vis de fixation
- ③ Accouplement rapide supérieur pour l'eau de refroidissement
- ④ Accouplement rapide inférieur pour l'eau de refroidissement
- ⑤ Prise



**IMPORTANT**  
Ne pas faire fonctionner la machine lors de l'installation de l'unité d'enrobage.

- Dévisser la vis de fixation d'environ 10 mm.
- Placer le cylindre d'enrobage au dessus du piston inférieur avec la vis de fixation dans la position montrée.
- Faire tourner l'unité d'enrobage dans le sens des aiguilles d'une montre jusqu'à ce qu'elle s'arrête.
- Serrer complètement la vis de fixation.
- Brancher le tube avec l'accouplement rapide droit sur l'accouplement rapide inférieur de l'unité d'enrobage (pos. 4) et appuyer pour assurer le branchement. S'assurer que la bague s'arrête tout au bout de l'accouplement rapide.
- Brancher le tube avec l'accouplement rapide coudé sur l'accouplement rapide supérieur de l'unité d'enrobage (pos. 3) et appuyer pour assurer le branchement. S'assurer que la bague s'arrête tout au bout de l'accouplement rapide.
- Monter la prise (pos. 5) dans la douille. Serrer l'écrou-raccord.

#### Installer le couvercle



④ Loqueteau

- Introduire la barbelure à l'avant de l'ouverture du couvercle.
- Introduire les barbelures des deux côtés du couvercle dans le coffret. Appuyer doucement sur les côtés du coffret.
- Appuyer sur l'extrémité arrière du couvercle pour que le loqueteau s'engrenne.

#### Installer la bague de protection contre la poussière

Placer la bague de protection contre la poussière autour du cylindre d'enrobage. Le côté incurvé doit être tourné vers le haut.

#### Désassemblage de l'unité d'enrobage

*Faire descendre le piston inférieur*

- Allumer le courant principal de la machine.
- Appuyer sur la touche PISTON VERS LE BAS ▼ pour abaisser le piston à sa limite inférieure.

*Retirer la bague de protection contre la poussière*

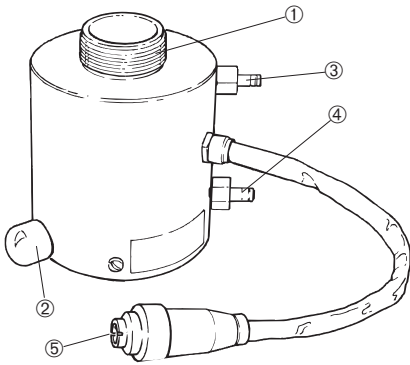
Soulever la bague de protection contre la poussière.

*Retirer le couvercle*

- Appuyer sur le loqueteau (position 4).
- Appuyer doucement sur les deux côtés du couvercle pour le dégager, et le soulever.



## Retirer l'unité d'enrobage



**IMPORTANT**  
Ne pas faire fonctionner la machine lorsque l'on retire l'unité d'enrobage.

- ① Cylindre d'enrobage
- ② Vis de fixation
- ③ Accouplement rapide supérieur pour l'eau de refroidissement
- ④ Accouplement rapide inférieur pour l'eau de refroidissement
- ⑤ Prise

- Débrancher la prise (pos. 5) dans la douille. Desserrer l'écrou-raccord et tirer.
- Débrancher le tube avec l'accouplement rapide coudé sur l'accouplement rapide supérieur sur l'unité d'enrobage (pos. 3). Tirer sur la bague. Attendre 5 secondes pour permettre à l'eau de s'écouler du serpentin de refroidissement.
- Débrancher le tube avec l'accouplement rapide droit sur l'accouplement rapide inférieur sur l'unité d'enrobage (pos. 4). Tirer sur la bague.
- Dévisser la vis de fixation d'environ 10 mm.
- Faire tourner l'unité d'enrobage dans le sens inverse des aiguilles d'une montre jusqu'à ce qu'elle s'arrête.
- Soulever l'unité d'enrobage.

## Retirer le piston inférieur

- Sortir l'axe de piston du piston inférieur.

**IMPORTANT**  
Le tourillon fait partie intégrante du mécanisme de sécurité de la machine et il est conçu pour la protéger contre les dégâts. Veuillez voir: Maintenance.  
S'il se casse ou disparaît, il ne doit être remplacé que par une pièce de rechange Struers, sinon le mécanisme de sécurité ne pourrait plus fonctionner.

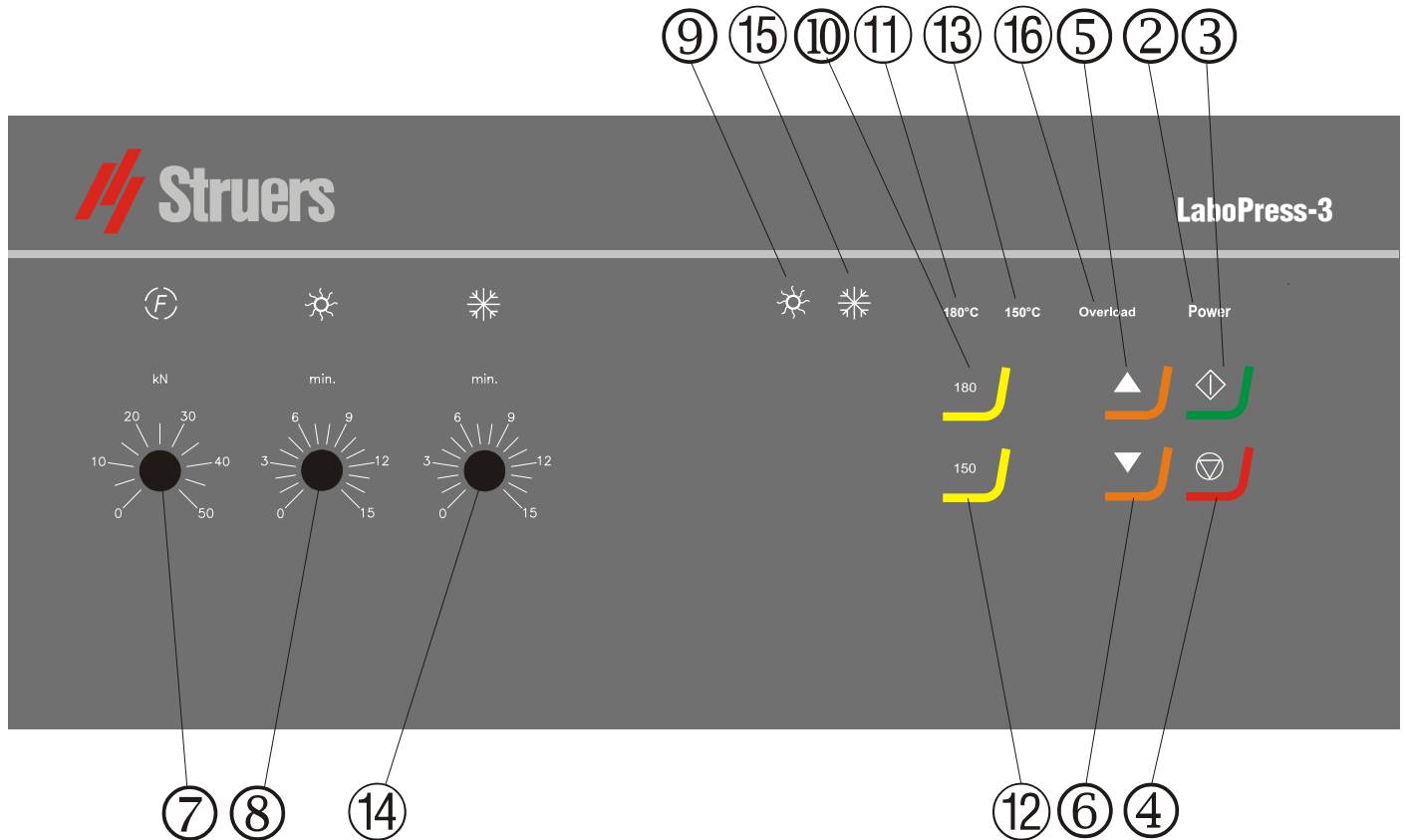
## Changer d'unité d'enrobage

Suivre les instructions au paragraphe Retirer l'unité d'enrobage et Installer l'unité d'enrobage.




## 2. Opérations de base

### Utiliser les touches de contrôle

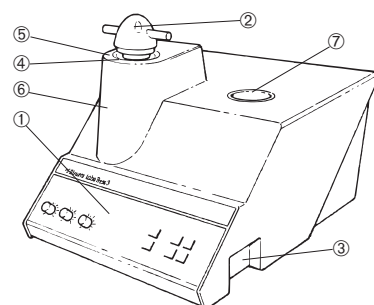
Touches de contrôle sur la plaque avant de LaboPress-3



### Signaux sonores

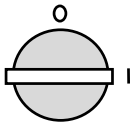
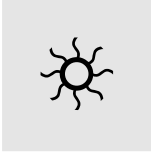
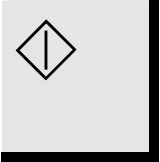
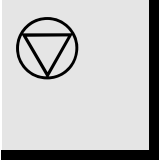
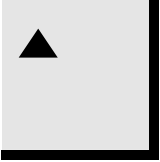
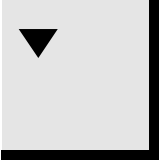




-  **Bip bref:** lorsqu'une touche est pressée, un bip bref indique que la commande a été acceptée.
-  **Bip long:** un bip long indique que la touche est inactive à ce moment.
-  **Trois bips longs:** indiquent que le processus d'enrobage est achevé.

### Interrupteur principal



- ① Plaque avant
- ③ Interrupteur principal

*LaboPress-3*  
Mode d'emploi

Pos. No.	Touche	Fonction	Pos. No.	Touche	Fonction
① INTERRUPTEUR PRINCIPAL		Allume et éteint le courant principal de la machine. L'interrupteur principal est placé à la droite du coffret.	⑨ INDICATEUR DE CHALEUR		S'allume quand la fonction de chauffage est activée.
② COURANT	<b>POWER</b>	Brille quand le courant principal est allumé.	⑩ CHAUFFAGE	<b>180°C</b>	Sélectionne une température de chauffage de 180°C.
③ MARCHE		Commence le processus d'enrobage automatique.	⑪ INDICATEUR DE CHALEUR	<b>180°C</b>	S'allume quand la température est programmée à 180°C.
④ ARRET		Arrête le processus d'enrobage, suivi par un déclenchement automatique de la pression. Arrête le mouvement du piston inférieur.	⑫ CHAUFFAGE	<b>150°C</b>	Sélectionne une température de chauffage de 150°C.
⑤ PISTON VERS LE HAUT		Commence le mouvement vers le haut du piston inférieur. Une fois mis en marche, arrête le mouvement vers le haut du piston inférieur. Le piston s'arrête automatiquement quand sa limite supérieure est atteinte.	⑬ INDICATEUR DE CHALEUR	<b>150°C</b>	S'allume quand la température est programmée à 150°C.
⑥ PISTON VERS LE BAS		Commence le mouvement vers le bas du piston inférieur. Une fois mis en marche, arrête le mouvement vers le bas du piston inférieur. Le piston s'arrête automatiquement quand sa limite inférieure est atteinte.	⑭ REFROID.		Bouton de réglage pour programmer le temps de refroidissement.
⑦ FORCE		Bouton de réglage pour programmer la force (pression).	⑮ INDICATEUR DE REFROID.		S'allume quand la fonction de refroidissement est activée.
⑧ CHAUFFAGE		Bouton de réglage pour programmer le temps de chauffage.	⑯ SURCHARGE	<b>OVERLOAD</b>	S'allume si le moteur a été surchargé.

### Placer l'échantillon

- Appuyer continûment sur PISTON VERS LE HAUT ▲ pour faire monter le piston inférieur à sa limite supérieure.
- Appliquer le "*Produit anti-adhérent*" sur la surface du piston inférieur.
- Placer l'échantillon sur le piston. L'échantillon doit être propre, sec et dégraissé. La distance entre l'échantillon et la paroi du cylindre doit être d'au minimum 3 mm pour éviter la création de fissures dans la résine.

### Verser la résine sur l'échantillon

- Appuyer continûment sur PISTON VERS LE BAS ▼ pour faire baisser le piston à sa limite inférieure.
- Remplir le cylindre d'une quantité de résine appropriée à l'aide de l'entonnoir.

**Toujours** s'assurer qu'il y a suffisamment de résine pour recouvrir l'échantillon après la compression. Noter que le volume de résine diminue lorsque le granulé se comprime. Si la résine utilisée n'est pas suffisante, les pistons peuvent rentrer en contact avec l'échantillon et le cylindre peut être endommagé.

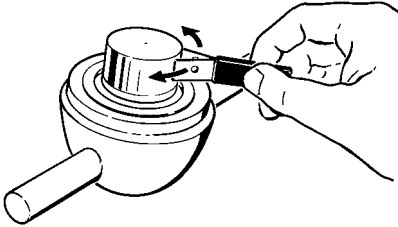
#### **Important**

Le "*Produit anti-adhérent*" doit toujours être appliqué sur les pistons d'enrobage, car en couches fines, il empêche les résines de coller à la surface. AntiStick de Struers permet d'appliquer facilement une fine couche de poudre de stéarate sur les pistons.

### Placer deux échantillons

- Suivre les instructions au paragraphe Placer l'échantillon.
  - Appliquer le "*Produit anti-adhérent*" sur toutes les surfaces du piston intermédiaire.
  - Placer le piston intermédiaire au dessus de la résine.
  - Placer le second échantillon sur le piston intermédiaire et remplir le cylindre d'une quantité de résine adéquate.
- S'assurer d'utiliser la résine adéquate.

### Installer la fermeture supérieure



- Eliminer la poussière de résine de la partie supérieure du cylindre d'enrobage.
- Nettoyer la surface cylindrique du piston supérieur. Il est facile d'enlever la résine durcie sans endommager la surface du piston en utilisant le racloir fourni.
- Appliquer le "*Produit anti-adhérent*" sur toutes les surfaces accessibles du piston supérieur.
- Placer la fermeture supérieure avec le piston supérieur sur le cylindre d'enrobage.
- Presser la fermeture supérieure vers le bas en la faisant tourner dans le sens inverse des aiguilles d'une montre jusqu'à ce qu'un déclic retentisse.
- Appuyer sur la fermeture supérieure et la faire tourner dans le sens des aiguilles d'une montre jusqu'à ce qu'elle atteigne sa limite inférieure.
- Faire faire à la fermeture supérieure un quart de tour en arrière.

#### **IMPORTANT**

Si le piston ne rentre pas dans le cylindre, vérifier qu'il ne reste pas de résine durcie dans le piston et le cylindre. La tolérance entre le cylindre et le piston est très mince et même de petites quantités de résine provenant d'un enrobage précédent peuvent causer des problèmes.

### Commencer le processus d'enrobage

- Programmer la force.
- Programmer le temps de chauffage.
- Programmer la température de chauffage (180/150°C).
- Programmer le temps de refroidissement.
- Appuyer sur MARCHE ◊, et le processus va se dérouler automatiquement.
- Le processus d'enrobage peut être suivi sur les indicateurs de chaleur et de refroidissement.

### Pré-chauffage à basse pression

Pour commencer, régler la force à une valeur basse. Régler la force après la période de préchauffage désirée.

### Arrêter le processus d'enrobage

- La machine s'arrête automatiquement et libère la pression lorsque le temps de refroidissement est écoulé. La machine peut être arrêtée à tout moment lors du processus d'enrobage en appuyant sur ARRÊT ∇.

*Si la machine a été arrêtée pendant le processus d'enrobage:*  
Faire refroidir le cylindre d'enrobage 2 min. au minimum avant l'ouverture, après une période de chauffage. Prendre en compte que l'enrobage sera probablement détruit.

### Retirer la fermeture supérieure

Quand le processus d'enrobage est terminé:

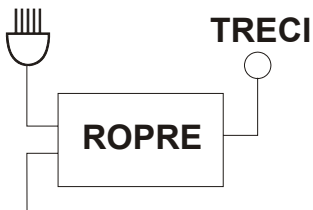
- Faire tourner la fermeture supérieure dans le sens inverse des aiguilles d'une montre jusqu'à ce qu'elle soit libérée du filetage.
- Appuyer sur PISTON VERS LE HAUT ▲ pour faire monter le piston inférieur à sa limite supérieure.
- Placer la fermeture supérieure dans son support.

# Guide de référence

Table des matières	Page
<b>1. Opérations avancées</b>	
Installation de l'unité de recyclage (Optionnelle).....	14
Douille pour le recyclage .....	14
<b>2. Struers Metalog Guide™</b> .....	15
<b>3. Guide d'application pour l'enrobage à chaud</b> .....	15
<b>4. Accessoires</b> .....	16
<b>5. Consommables</b> .....	17
<b>6. Indication d'erreurs</b> .....	18
<b>7. Maintenance</b>	
Quotidienne.....	20
Mensuelle .....	20
Nettoyage sous le piston inférieur.....	20
Nettoyer les pistons .....	20
Retirer le piston supérieur .....	21
Graisser le filetage de la fermeture supérieure .....	21
Détartretr le serpentin de refroidissement dans l'unité d'enrobage.....	21
Remplacer l'eau de refroidissement.....	22
Vérifier l'unité de recyclage.....	22
<b>8. Données techniques</b> .....	23

## 1. Opérations avancées

### Installation de l'unité de recyclage (Optionnelle)

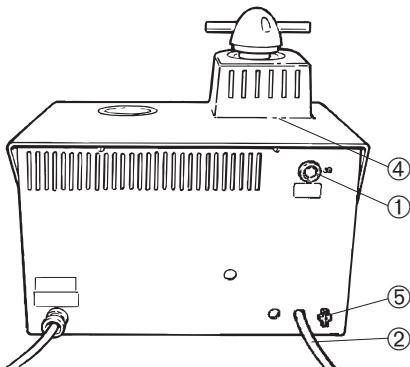


LaboPress-3/  
ProntoPress-10/ProntoPress-20

Une unité de recyclage (TRECI) peut être branchée à l'aide d'un connecteur pour unité de recyclage (ROPRE).

Brancher le câble de la pompe de TRECI à ROPRE, selon le diagramme de ROPRE.

### Douille pour le recyclage



- ② Tuyau d'écoulement
- ⑤ Douille pour le recyclage

- Brancher le câble avec la prise de ROPRE à la douille (pos. 5) au dos de la presse d'enrobage.
- Brancher le câble de ROPRE au réseau électrique.
- Vérifier que la pompe tourne dans le sens indiqué sur la pompe. Si le sens n'est pas correct, intervertir deux des phases dans le branchement à la pompe dans TRECI (seulement des versions triphasées).
- Remplacer le tube d'écoulement sur la pompe dans TRECI avec la soupape de retenue coudée et le mamelon hexagonal de ROPRE. Struers recommande de sceller les filetages.
- Brancher le tuyau de pression de la presse d'enrobage au mamelon hexagonal. Ne pas oublier de monter le joint.
- Guider le tuyau d'écoulement (pos. 2) à la douille sur TRECI. Etre absolument sûr d'incliner le tuyau régulièrement sans qu'il n'y ait d'obstructions.
- Rattacher l'écoulement de l'eau à la douille de TRECI.



## 2. Struers Metalog Guide™

Le Metalog Guide™ de Struers offre des méthodes de préparation pour les matériaux les plus communs, basées sur la simple analyse de deux propriétés clés: la dureté et la ductilité. Trouver la méthode correcte est simple, ainsi que le choix des consommables. Toujours consulter le Metalog Guide™ de Struers pour trouver la méthode de préparation correcte pour les échantillons à préparer.

Le Metalog Guide™ de Struers comprend 6 chapitres utiles:

*Metalogram*

Un guide rapide et sûr pour trouver la méthode de préparation correcte.

*Méthodes Metalog*

Un catalogue complet de méthodes de préparation, basé sur la grande expérience de Struers en métallographie et sur le vaste programme de consommables Struers.

*Philosophie de préparation*

Les bases de la préparation moderne d'échantillons, vues par des professionnels.

*Processus Metalog*

Le processus de préparation métallographique du début à la fin, expliqué de manière logique.

*Metalog Master*

Un guide d'indication d'erreurs combiné avec des informations détaillées sur les processus de préparation mécanique, comprenant un système expert pour résoudre les problèmes de préparation.

*Metalog Code*

Accès rapide aux consommables appropriés aux méthodes de préparation choisies.

***Metalog Guide de Struers™***

Un guide complet pour la préparation d'échantillons métallographiques.  
Contacter le concessionnaire local pour recevoir une copie gratuite de Metalog Guide™.

## 3. Guide d'application pour l'enrobage à chaud

Des informations et conseils utiles sur l'enrobage sont disponibles dans le [Guide d'application Struers pour l'enrobage à chaud](#) et sur le site Struers <http://www.struers.com> à la section sur les **Connaissances**.

## 4. Accessoires

<b>Type</b>	<b>Description</b>	<b>Code</b>
<b>Unité d'enrobage</b> constituée d'un cylindre, d'un piston supérieur et inférieur, d'une unité de chauffage/refroidissement et d'une fermeture supérieure	25 mm dia. 30 mm dia. 1 ¼" dia. 1 ½" dia. 40 mm dia. 50 mm dia.	CYNMI CYNTE CYNQU CYNHA CYNIF CYNAM
<b>Piston intermédiaire</b> pour produire 2 enrobages simultanément	25 mm dia. 30 mm dia. 1 ¼" dia. 1 ½" dia. 40 mm dia. 50 mm dia.	CYLDO CYLDO CYLDO CYLDO CYLDO CYLDO
<b>Unité de recyclage</b>		TRECI
<b>Connecteur pour l'unité de recyclage</b> pour brancher l'unité de recyclage (TRECI) à LaboPress-3		ROPRE

## 5. Consommables

Résine	Application	Propriété spécifique	Matériau	Contenu	Code
<b>ConduFast</b> (Resin 1)	Polissage électrolytique	Conductrice d'électricité Retrait très faible	Résine acrylique avec charge de poudre de fer Thermoplastique, Grise	1 kg	RESFE
<b>SpeciFast</b> (Resin 3)	Enrobages transparents comme le verre Echantillons poreux Surface isolante d'électricité pour ConduFast	Transparente Retrait moyen	Acrylique Thermoplastique	1,5 kg 7,5 kg 25 kg	RESTH RESYV RESFA
<b>PolyFast</b>	Netteté des bords	Retrait très faible Taux d'enlèvement de matière moyen	Résine phénolique avec charge de carbone Thermodurcissable, Noire	1 kg 7,5 kg	FAPSA FAPME
	Examen au microscope électronique à balayage	Conductrice d'électricité Faible émission dans le compartiment à vide			
<b>IsoFast</b> (Resin 4)	Netteté des bords Planéité	Retrait faible Taux d'enlèvement de matière faible	Dialyphthalate avec charge de fibres de verre Thermodurcissable, Verte	1 kg 7,5 kg	RESDI RETTY
<b>DuroFast</b> (Resin 5)	Netteté des bords Planéité	Retrait très faible Bonne adhésion Taux d'enlèvement de matière très faible	Epoxy avec charge minérale Thermodurcissable, Noire	1 kg 7,5 kg	RESIF RESEN
<b>MultiFast</b>	Examen de routine, Résine de remplissage	Retrait faible Taux d'enlèvement de matière moyen	Résine phénolique avec charge de pâte de bois Thermodurcissable, Noire	2,5 kg 7,5 kg 25 kg	RESRU RESUK RESLA
<b>MultiFast Green</b>	Examen de routine Marquage en couleur	Retrait faible Taux d'enlèvement de matière moyen	Résine phénolique avec charge de pâte de bois Thermodurcissable, Verte	2,5 kg 7,5 kg 25 kg	FAGSA FAGME FAGLA
<b>MultiFast Brown</b>	Examen de routine Marquage en couleur	Retrait faible Taux d'enlèvement de matière moyen	Résine phénolique avec charge de pâte de bois Thermodurcissable, Marron	2,5 kg 7,5 kg 25 kg	FABSA FABME FABLA
Produit	Application	Propriété spécifique	Matériau	Contenu	Code
<b>Pre-Mount</b>	Enrobage en série des échantillons de forme non-compliquée	Facile à manipuler Retrait faible Taux d'enlèvement de matière moyen	Résine phénolique avec charge de pâte de bois Sous forme de comprimés Thermodurcissable, Noire	<b>25 mm/ 1" dia.</b> env. 1100 comprimés 10 kg	RESUN
				<b>30 mm/ 1.1/4" dia.</b> env. 760 comprimés 10 kg	RESGI
				<b>40 mm/ 1 1/2" dia.</b> env. 460 comprimés 10 kg	RESAM
Produit	Application	Matériau	Contenu	Code	
<b>Mount Release Wax</b>	Pour prévenir l'adhésion des enrobages aux pistons	Cire	24 g	PREWA	
<b>AntiStick</b>	Pour prévenir l'adhésion des enrobages aux pistons	Poudre de stéarate très fine	8 g	FASTI	

## 6. Indication d'erreurs

Affichage/erreur	Cause	Action
<b>Message d'erreur</b>		
Surcharge.	Le moteur a été surchargé.	Laisser le moteur refroidir et remettre en marche la presse d'enrobage. Si le problème n'est pas résolu, appeler un technicien de service Struers.
<b>Signaux sonores</b>		
Bip long.	La commande ne peut pas être acceptée.	Vérifier le Guide de l'utilisateur, section 2
<b>Problèmes de machine</b>		
Le processus ne commence pas.	Les temps de chauffage et de refroidissement sont programmés sur 0.	Régler les temps corrects.
Compression insuffisante.	Réglage incorrect de la force/pression.	Régler les paramètres corrects.
	Système de pression défectueux.	Appeler un technicien de service Struers.
Chauffage insuffisant.	Réglage incorrect du temps de préchauffage ou de chauffage.	Régler les paramètres corrects.
	Système de chauffage défectueux.	Appeler un technicien de service Struers.
Refroidissement insuffisant.	Réglage incorrect du temps de refroidissement.	Régler le paramètre correct.
	Le robinet d'eau fournissant l'eau de refroidissement est soit fermé, soit insuffisamment ouvert. Le filtre à l'arrivée d'eau est bloqué. L'eau est trop chaude.	Ouvrir le robinet. Nettoyer le filtre.
	Pas suffisamment d'eau dans l'unité de recyclage. L'eau est trop chaude.	Remplir d'eau au niveau correct. Voir la section Maintenance.
	Le système de refroidissement est défectueux.	Appeler un technicien de service Struers.
L'eau de refroidissement s'égoutte en dessous de la machine.	L'accouplement rapide n'est pas correctement monté.	Retirer le couvercle de l'unité d'enrobage et vérifier les branchements de l'accouplement rapide.
La fermeture supérieure ne peut pas être vissée sur le cylindre d'enrobage.	La fermeture supérieure n'est pas correctement montée.	Presser la fermeture supérieure vers le bas, en la faisant tourner dans le sens inverse des aiguilles d'une montre jusqu'à ce qu'un déclic retentisse.
	Le piston supérieur est trop chaud.	Laisser refroidir la fermeture supérieure et le piston supérieur. Réduire la température d'enrobage.
	De la résine durcie se trouve à l'intérieur du cylindre d'enrobage.	Nettoyer le cylindre d'enrobage à l'aide d'une brosse en fils de laiton.
	De la résine durcie se trouve sur la surface cylindrique du piston supérieur.	Nettoyer le piston à l'aide du racloir.
	La fermeture supérieure est tombée sur le sol/la table, créant une bosse sur le rebord du piston.	Remplacer le piston supérieur.

*LaboPress-3*  
*Mode d'emploi*

Affichage/erreur	Cause	Action
	Endommagement du filetage dans la fermeture supérieure ou du piston supérieur.	Retirer le piston supérieur de la fermeture supérieure (voir les instructions à la section Maintenance). Essayer les deux procédures suivantes pour identifier le problème: <ul style="list-style-type: none"> <li>▪ Essayer de monter la fermeture supérieure sans le piston supérieur. Si cela n'est pas possible, appeler un technicien de service Struers.</li> <li>▪ Essayer d'insérer le piston supérieur démonté dans le cylindre d'enrobage. Si cela n'est pas possible, appeler un technicien de service Struers.</li> </ul>
La fermeture supérieure ne peut pas être complètement vissée.	Des salissures se trouvent dans les filetages de la fermeture supérieure et du cylindre d'enrobage.	Nettoyer les filetages. N'utiliser qu'une poudre lubrifiante sèche.
	Le disque d'isolation thermique, placé en haut du piston supérieur, a un diamètre plus grand que celui du piston supérieur.	Appeler un technicien de service Struers.
La fermeture supérieure ne peut pas être desserrée.	<p>La fermeture n'a pas été tournée d'un ¼ de tour avant le commencement du processus.</p> <p>De la résine durcie se trouve sur la surface cylindrique du piston supérieur.</p> <p>Des salissures se trouvent dans le filetage de la fermeture supérieure.</p>	<p>Pour desserrer la fermeture supérieure:</p> <ul style="list-style-type: none"> <li>- Déplacer le piston inférieur plusieurs fois de bas en haut.</li> </ul> <p>Si cela ne résout pas le problème:</p> <ul style="list-style-type: none"> <li>- Activer le chauffage pendant 1 min.</li> </ul> <p>Si cela ne résout pas le problème:</p> <ul style="list-style-type: none"> <li>- Régler la force ou la pression à zéro.</li> <li>- Régler le temps de chauffage et de refroidissement à 15 min.</li> <li>- Procéder à un enrobage.</li> </ul> <p>Si cela ne résout pas le problème:</p> <ul style="list-style-type: none"> <li>- Retirer les deux poignées sur la fermeture supérieure.</li> <li>- Retirer le couvercle en plastique de la fermeture supérieure (Voir Maintenance).</li> <li>- Desserrer la fermeture supérieure à l'aide d'une clé à fourche.</li> </ul>

## 7. Maintenance

### Quotidienne

- Nettoyer toutes les surfaces accessibles à l'aide d'un chiffon humide.

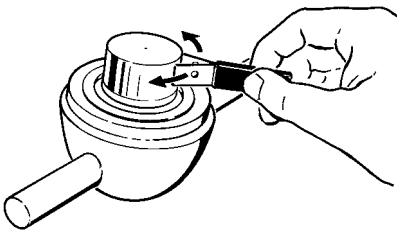
### Mensuelle

#### *Nettoyage sous le piston inférieur*

Lors de l'enrobage, certains restes de résine durcie tomberont du piston inférieur et formeront un dépôt en dessous de celui-ci. Cette résine durcie doit être éliminée pour éviter d'endommager la machine. Le tourillon serrant le piston inférieur a été conçu pour se briser dans ce cas, évitant ainsi un endommagement sérieux de la machine.

- Retirer l'unité d'enrobage. Voir la section à ce sujet.
- A l'aide d'un chiffon ou d'une brosse douce, éliminer la résine sous le piston inférieur.
- Installer l'unité d'enrobage. Voir la section à ce sujet.

### Nettoyer les pistons



Avant chaque enrobage, vérifier qu'il ne reste pas de résine provenant de préparations précédentes sur les surfaces plates des pistons. Nettoyer la surface cylindrique du piston supérieur et le piston intermédiaire optionnel, car il pourrait autrement y avoir des problèmes pour le mouvement dans le cylindre et pour monter la fermeture supérieure. La vieille résine durcie peut être éliminée facilement, sans endommager la surface des pistons, à l'aide du racloir joint.

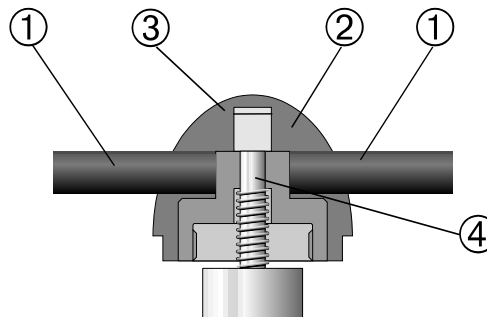
Si les surfaces polies des pistons ont été rayées, les démonter et les polir avec du produit diamanté de 6 ou 3  $\mu\text{m}$  sur un drap de polissage.

#### **IMPORTANT**

Ne pas polir les surfaces de côté des pistons. Si les côtés des pistons sont fortement rayés, il faut les gratter.

### Retirer le piston supérieur

- Retirer les prises de couverture des extrémités des poignées et les dévisser à l'aide d'une clé hexagonale (pos. 1).
- Retirer le chapeau en plastique (pos.2).
- Soulever le piston supérieur et retirer le joint de fermeture (pos.3).
- Sortir le piston supérieur. Ne pas retirer la tige (pos. 4) du piston supérieur, à moins que cela ne soit absolument nécessaire.
- S'il s'avère nécessaire de retirer la tige, maintenir le piston supérieur dans un étau ou autre dispositif similaire. La surface du piston doit être protégée par du plastique ou du métal tendre.



- ① Poignée
- ② Couvercle en plastique
- ③ Joint de fermeture
- ④ Tige

### Graisser le filetage de la fermeture supérieure

En cas de friction dans le filetage, celui-ci doit être graissé à l'aide d'un lubrifiant sec tel qu'une poudre ou graphite MoS<sub>2</sub>.

#### **IMPORTANT**

Se rappeler de ne pas graisser avec de l'huile ou de la graisse le filetage du joint entre la fermeture supérieure et le cylindre d'enrobage. Comme le cylindre d'enrobage opère à hautes températures, seul un lubrifiant sec, résistant aux hautes températures, peut être utilisé.

### Détartre le serpentin de refroidissement dans l'unité d'enrobage

Lors de l'utilisation d'eau de refroidissement provenant du robinet d'eau dans les régions très calcaires, des dépôts peuvent se former dans le serpentin de refroidissement.

Ceci peut réduire l'effet de refroidissement. Il est donc nécessaire de détartre le serpentin de refroidissement une fois par an.

- Retirer l'unité d'enrobage (voir cette section.)
- Rincer le serpentin avec un liquide de détartrage doux, comme ceux utilisés pour les cafetières électriques.
- Rincer le serpentin de refroidissement à l'eau propre.
- Réinstaller l'unité d'enrobage.

### Remplacer l'eau de refroidissement

*Pertinent que lorsqu'une unité de recyclage est connectée:*

- Remplacer l'eau de refroidissement dans l'unité de recyclage au moins une fois par mois.
- Placer un sac plastique jetable (TREPO) dans le réservoir et le replier par dessus le bord.
- Remplir le réservoir de 30 l d'eau. NB! Un niveau trop élevé de produit de refroidissement dans le réservoir peut endommager la pompe.
- Ajouter l'additif Struers selon le mode d'emploi.
- Mettre le couvercle sur le réservoir.
- Placer la pompe dans le couvercle.

### Vérifier l'unité de recyclage

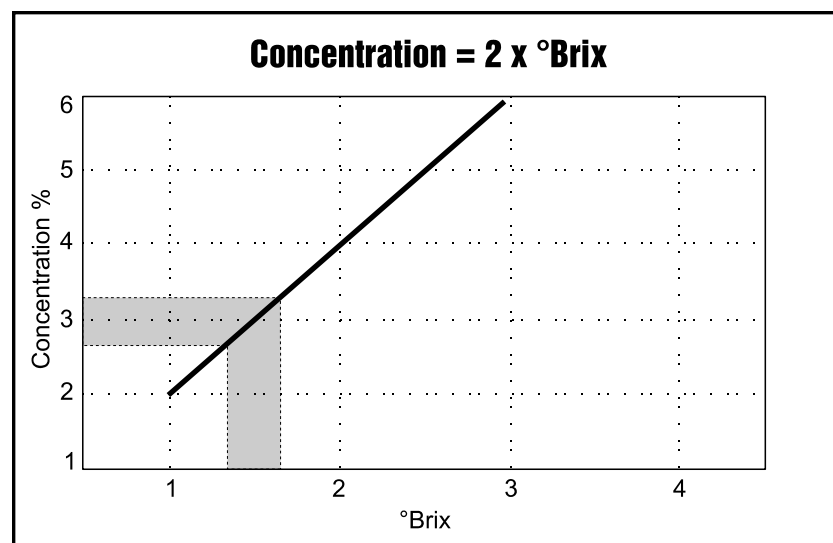
#### **IMPORTANT**

Toujours maintenir la concentration correcte d'additif Struers dans l'eau de refroidissement (pourcentage indiqué sur la bouteille d'additif). Se rappeler d'ajouter l'additif Struers chaque fois que l'on rajoute de l'eau.

Chaque semaine, vérifier l'eau de refroidissement dans l'unité de recyclage et procéder à un remplissage d'eau lorsque la pompe de rinçage ne parvient plus à atteindre l'eau de refroidissement. Se rappeler d'ajouter l'additif pour liquide de refroidissement de Struers: une mesure d'additif pour 33 mesures d'eau.

La concentration de l'additif doit toujours se trouver entre 2,7 et 3,3%. Le pH doit être d'environ 9. Remplacer l'eau de refroidissement si le pH est  $\leq 8,0$ .

Pour vérifier la concentration d'additif, utiliser un réfractomètre (0-10 Brix, voir le diagramme.). Concentration = 2 x Brix. Ajouter l'additif pour liquide de refroidissement de Struers si la concentration est inférieure à 2,7%. Ajouter de l'eau si la concentration est supérieure à 3,3%.





## 8. Données techniques

Sujet		Spécifications
Unités d'enrobage (Optionnelles)	Diamètre	25, 30, 40, 50 mm
Compression	Force sur la tige du piston	Variable entre 0 et 50 kN
Chauffage (avec pression)	Température	150/180 °C
	Temps	Variable entre 0 et 15 min
Refroidissement (avec pression)	Temps	Variable entre 0 et 15 min
Alimentation en eau	Eau du robinet ou unité de recyclage	
	Pression de l'eau du robinet	1 à 10 bar
	Arrivée	1/2" ou 3/4"
Alimentation en courant	Phases du courant	1
	Consommation en courant: Total, max. Unité d'enrobage	1500W 750W
	Tension/fréquence	Charge continue max.
	100-120V / 50Hz 100-120V / 60Hz 220-240V / 50Hz 220-240V / 60Hz	10A (100V) - 12A (120V) 10A (100V) - 12A (120V) 4,5A (220V)- 5,0A (240V) 4,5A (220V)- 5,0A (240V)
Dimensions et poids	Largeur	420 mm
	Profondeur	580 mm
	Hauteur (unité d'enrobage et fermeture supérieure installée)	420 mm
	Poids	38 kg

# Carte de référence rapide

## Placer l'échantillon

- Appuyer continûment sur PISTON VERS LE HAUT ▲ pour faire monter le piston inférieur à sa limite supérieure.
- Appliquer le "*Produit anti-adhérent*" sur la surface du piston inférieur.
- Placer l'échantillon sur le piston.

## Verser la résine sur l'échantillon

- Appuyer continûment sur PISTON VERS LE BAS ▼ pour faire baisser le piston à sa limite inférieure.
- Remplir le cylindre d'une quantité de résine appropriée à l'aide de l'entonnoir.

## Installer la fermeture supérieure

- Eliminer la poussière de résine de la partie supérieure du cylindre d'enrobage.
- Nettoyer la surface cylindrique du piston supérieur. Il est facile d'enlever la résine durcie sans endommager la surface du piston en utilisant le racloir fourni.
- Appliquer le "*Produit anti-adhérent*" sur toutes les surfaces accessibles du piston supérieur.
- Presser la fermeture supérieure vers le bas en la faisant tourner dans le sens inverse des aiguilles d'une montre jusqu'à ce qu'un déclic retentisse.
- Placer la fermeture supérieure avec le piston supérieur sur le cylindre d'enrobage.
- Appuyer sur la fermeture supérieure et la faire tourner dans le sens des aiguilles d'une montre jusqu'à ce qu'elle atteigne sa limite inférieure.
- Faire faire à la fermeture supérieure un quart de tour en arrière.

## Commencer le processus d'enrobage

- Programmer la force.
- Programmer le temps de chauffage.
- Programmer la température de chauffage (180/150°C).
- Programmer le temps de refroidissement.
- Appuyer sur MARCHE ◇, et le processus va se dérouler automatiquement.

## Arrêter le processus d'enrobage

- La machine s'arrête automatiquement et relâche la pression lorsque le temps de refroidissement est écoulé.

## Retirer la fermeture supérieure

Quand le processus d'enrobage est terminé:

- Faire tourner la fermeture supérieure dans le sens inverse des aiguilles d'une montre jusqu'à ce qu'elle soit libérée du filetage.
- Appuyer sur PISTON VERS LE HAUT ▲ pour faire monter le piston inférieur à sa limite supérieure.
- Placer la fermeture supérieure dans son support.

# LaboPress-1

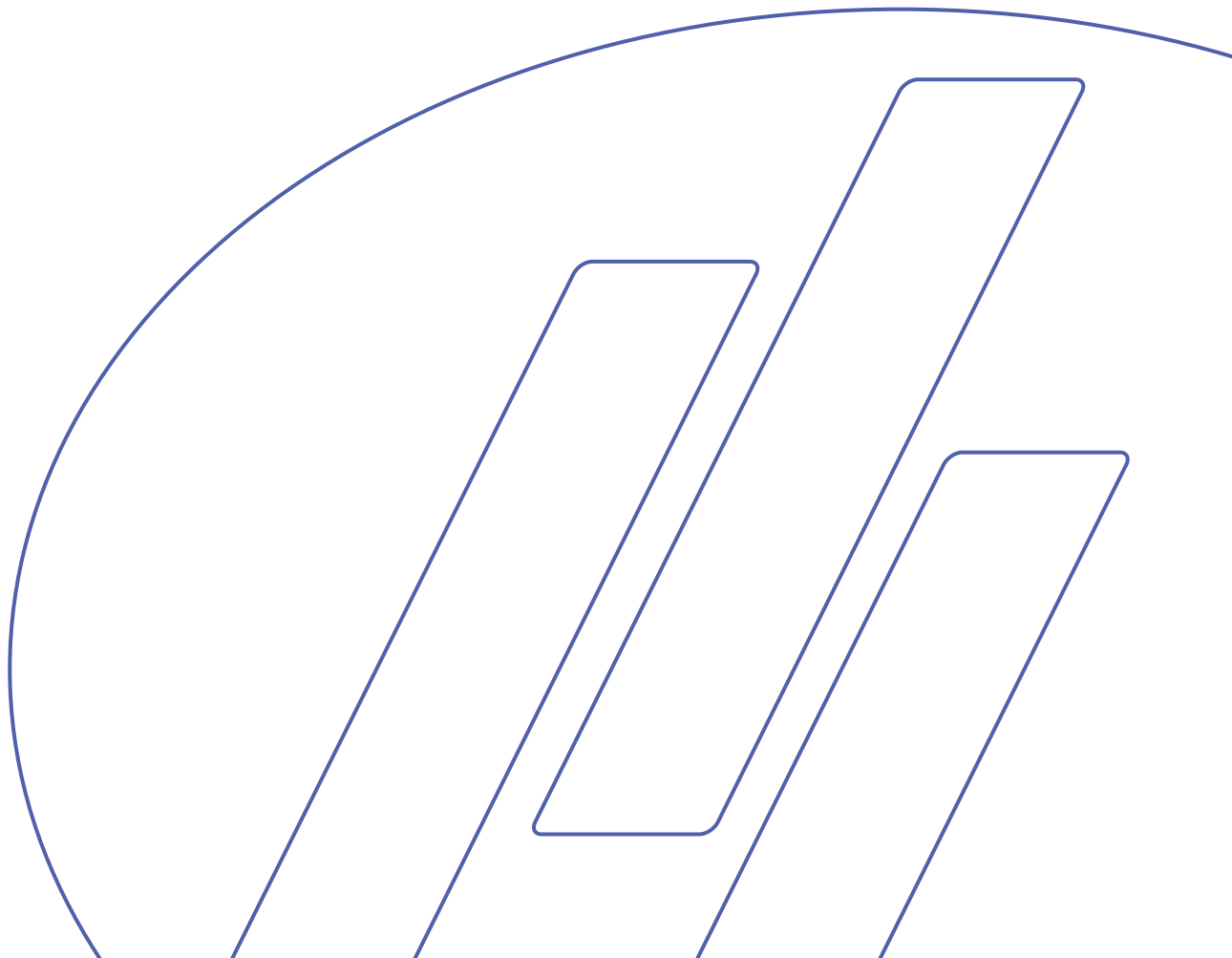


# LaboPress-3

Manual No.: 15087003

Date of Release 10.05.2005

## Spare Parts and Diagrams



*LaboPress-1/-3*  
*Spare Parts and Diagrams*

---

**Always state *Serial No* and *Voltage/frequency*  
if you have technical questions or when ordering spare parts.**

The following restrictions should be observed, as violation of the restrictions may cause cancellation of Struers legal obligations:

**Instruction Manuals:** Struers Instruction Manual may only be used in connection with Struers equipment covered by the Instruction Manual.

**Service Manuals:** Struers Service Manual may only be used by a trained technician authorised by Struers. The Service Manual may only be used in connection with Struers equipment covered by the Service Manual.

Struers assumes no responsibility for errors in the manual text/illustrations. The information in this manual is subject to changes without notice. The manual may mention accessories or parts not included in the present version of the equipment.

The contents of this manual is the property of Struers. Reproduction of any part of this manual without the written permission of Struers is not allowed.

All rights reserved. © Struers 2005.

**Struers A/S**  
Pederstrupvej 84  
DK-2750 Ballerup  
Denmark  
Telephone +45 44 600 800  
Telefax: +45 44 600 801

---

## **Spare Parts and Diagrams**

### **Table of contents**

### **Drawing**

#### **Common Parts for LaboPress-1 and LaboPress-3**

##### *Drawings*

Bottom, Complete .....	15050050R
LaboPress-1, cabinet, complete.....	15050001C
Cylinder Unit .....	15360036C
Top Closure .....	15360026A

#### **LaboPress-1**

##### *Diagrams*

Hydraulic Diagram .....	15051001D
Wiring Diagram .....	15053450E

#### **LaboPress-3**

##### *Diagrams*

Hydraulic Diagram .....	15081004D
Wiring Diagram .....	15083450F

***Please note***

Some of the drawings may contain position numbers  
not used in connection with this manual.

*LaboPress-1/-3*  
*Spare Parts and Diagrams*

<b>Drawing</b>	<b>Pos.</b>	<b>Spare Part</b>	<b>Cat No.</b>
<b>15050050</b>		<b>Bottom, complete</b>	
	30+40	Rubber foot with screw and spacer	R4910140
	145	Fuse 3.15A T, glass tube	359MP109A
	350	Axle journal	15360228
	450	Coupling 45°	2NH11445
	510	Straight coupling with hose nipple	2NH10014
		Air Filter (lid for hydraulic oil)	2YF90005
<b>15050001</b>		<b>LaboPress-1, cabinet, complete</b>	
	50	Top cabinet 505	15050115
	70	Top closure holder	15050385
		<b>Various parts</b>	
		Funnel ø80/15	2GP38508
		Measuring spoon	50300000
		Allan Key 5	2GR00050
		Pipe Wrench 13mm	2GR00006
		Timer clock	62000025
		<b>LaboPress-3 Only</b>	
		Pressure water hose	2NU93020
		Gasket with filter ¾"	2IX20410
		Gasket ø11/ø24x1.5	13590359
		Reducing piece ½" ¾"	2NG30013
	<b>15360036</b>		<b>Cylinder Unit ø25</b>
155		Cover plate ø25	15368005
190		Fixation screw	15050040
		Lower ram, ø25	15360200
		Piston pin, for ø25 ram	15360215
		Dust protection ring	15360313
		Scraper (PROAN)	05366901

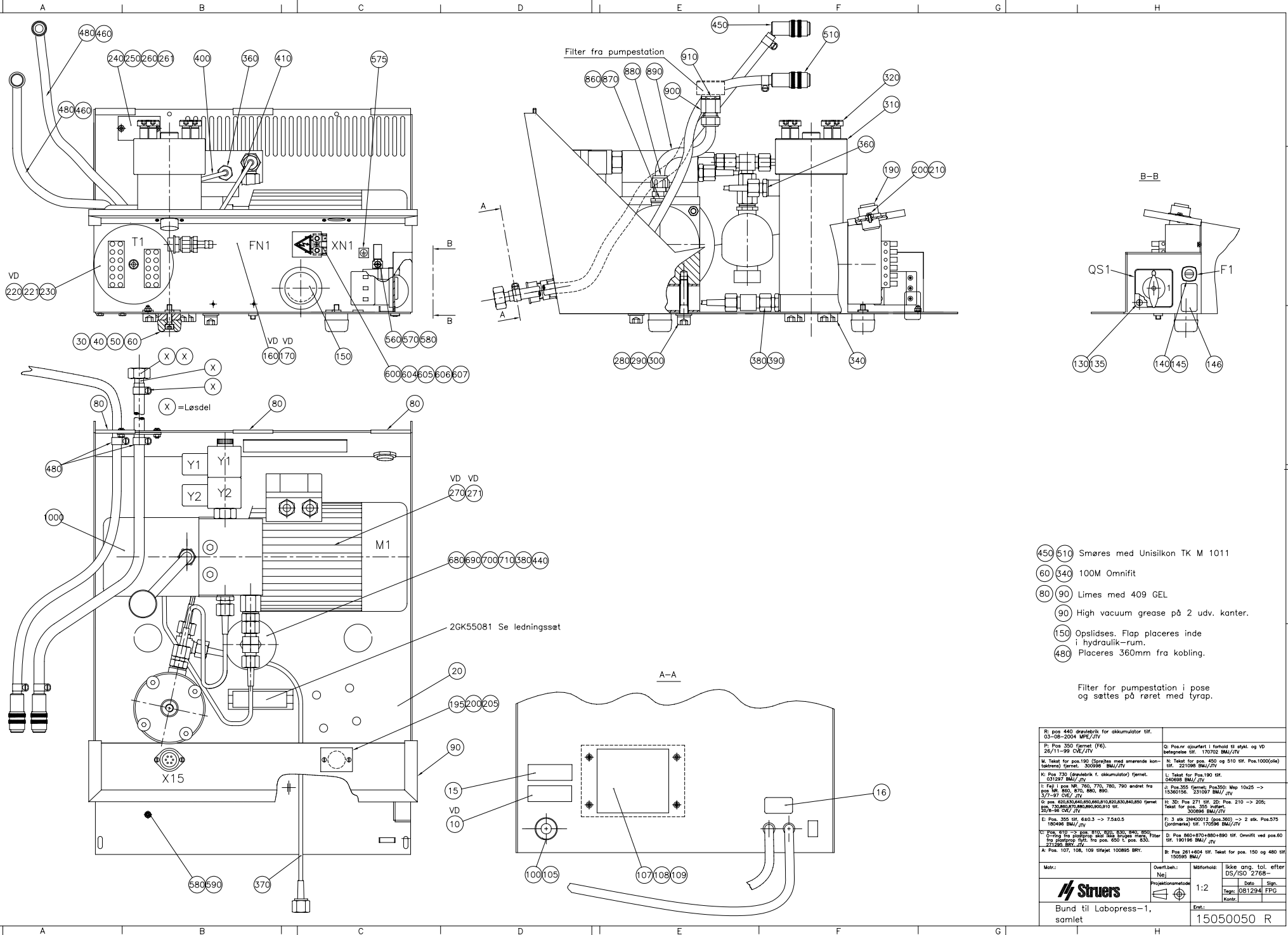
*LaboPress-1/-3*  
*Spare Parts and Diagrams*

<b>Drawing</b>	<b>Pos.</b>	<b>Spare Part</b>	<b>Cat No.</b>
<b>15360026</b>		<b>Top closure ø25</b>	
		Top closure ø25, complete	15360020
	30	Insulation, disc for ø25 top closure	15360300
	40	Pressure spring ø12.5x1.0	2GF10125
	50	Top part of ø25 top closure	15360170
	60	Lock washer	15050241
	70	Insulation shell for ø25 top closure	15360180
	80	Handle for top closure	15360027
<b>15360036</b>		<b>Cylinder unit ø30</b>	
	155	Cover plate ø30/1¼"	15368006
		Lower ram ø30 for ø7	15360201
		Piston pin, ø7	15360216
<b>15360026</b>		<b>Top Closure ø30</b>	
		Top Closure ø30, complete	15360021
	30	Insulation disc for ø30/ø1¼" top closure	15360301
	50	Top part of ø30/ø1¼" top closure	15360171
	70	Insulation shell for ø30/ø1¼" top closure	15360181
<b>15360036</b>		<b>Cylinder unit ø 1 ¼"</b>	
		Lower ram, ø7	15360202
		Piston pin, ø7	15360216
<b>15360026</b>		<b>Top closure ø 1 ¼"</b>	
		Top closure ø1¼", complete	15360022
<b>15360036</b>		<b>Cylinder unit ø 1 ½"</b>	
		Lower ram ø 1 ½"	15360203
	155	Cover plate ø40/1½"	15368007
		Piston pin, ø7	15360217
<b>15360026</b>		<b>Top closure ø 1 ½"</b>	
		Top closure ø1½", complete	15360023
	30	Insulation disc for ø40/ø1½"/ø50 top closure	15360302
	50	Top part of ø40/1½" top closure	15360172
	70	Insulation shell for ø40/ø1½" top closure	15360182

*LaboPress-1/-3*  
*Spare Parts and Diagrams*

<b>Drawing</b>	<b>Pos.</b>	<b>Spare Part</b>	<b>Cat No.</b>
<b>15360036</b>		<b>Cylinder unit ø40</b>	
		Lower ram ø40	15360204
		Piston pin, ø7	15360217
<b>15360026</b>		<b>Top closure ø40</b>	
		Top closure ø40, complete	15350024
<b>15360036</b>		<b>Cylinder unit ø50</b>	
	155	Cover plate ø50	15368008
		Lower ram ø50	15360205
		Piston pin, ø7	15360218
<b>15360026</b>		<b>Top closure ø50</b>	
		Top closure ø50, complete	15360025
	50	Top part of ø50 top closure	15360173
	70	Insulation shell for ø50 top closure	15360183

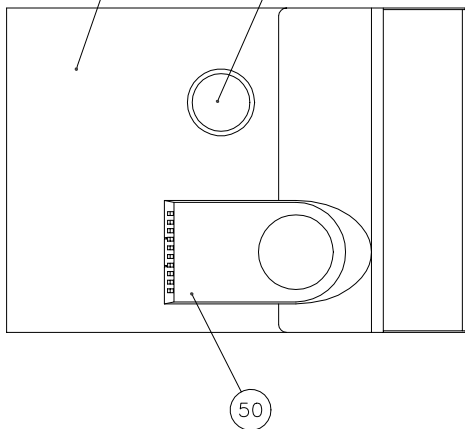
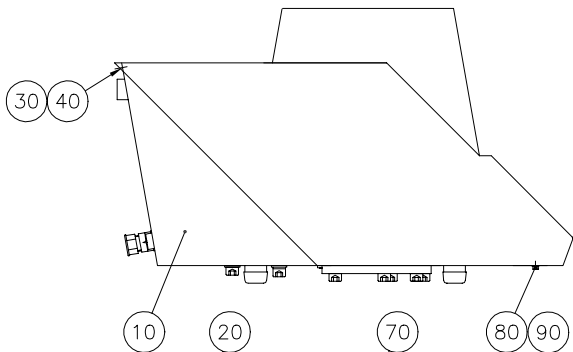




- 450 510 Smøres med Unisilikon TK M 1011
- 60 340 100M Omnifit
- 80 90 Limes med 409 GEL
- 90 High vacuum grease på 2 udv. kanter.
- 150 Opslidses. Flap placeres inde i hydraulik-rum.
- 480 Placeres 360mm fra kobling.

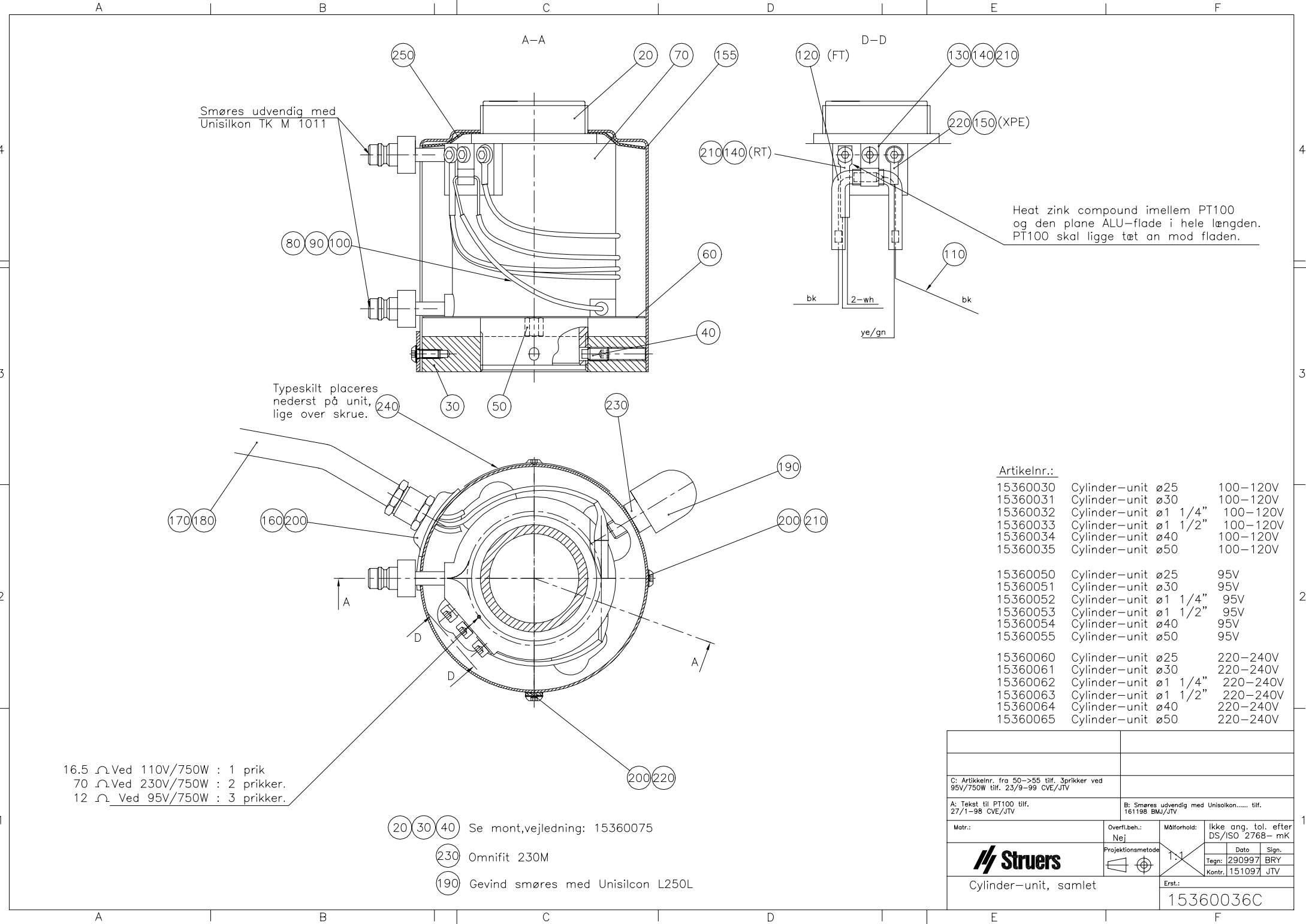
Filter for pumpestation i pose og sættes på røret med tyrp.

R: Pos 440 ændret til for akkumulator tilf. 03-08-2004 MPE/JTV	G: Pos nr ajourført i forhold til skæft og VD betegnelse tilf. 170702 BM/JTV
P: Pos 350 fjernet (F6). 26/11-99 CVE/JTV	N: Testet for pos 450 og 510 tilf. Pos.1000(104) tilf. 221096 BM/JTV
M: Testet for pos.190 (Sprøjte med ændrende kon-takters) fjernet. 300998 BM/JTV	L: Testet for Pos.190 tilf. 046098 BM/JTV
K: Pos 720 (Sprøjte f. akkumulator) fjernet. 031027 BM/JTV	I: Pos.355 fjernet; Pos.350; Map 10x25 -> 5/7-97 CVE/JTV
J: Føli i pos NR. 760, 770, 780, 790 ændret fra pos tilf. 800, 870, 880, 890.	H: 30: Pos 271 tilf. 22: Pos 210 -> 205; Testet for pos. 355 og fjernet. 300998 BM/JTV
O: Pos. 680,690,700,710,810,820,830,840,850 fjernet pos. 720,860,870,880,890,900,910 tilf. 507-98 CVE/JTV	F: 3 stk 2NH00012 (pos.360) -> 2 stk. Pos.575 180496 BM/JTV
E: Pos. 355 tilf. 680.3 -> 7.580.5	D: Pos 860+870+880+890 tilf. Omnifit ved pos.60 tilf. 190198 BM/JTV
U: Pos. 107 -> 108; 109; 110; 120; 140; 160; 170; 180; 190; 200; 210; 220; 230; 240; 250; 260; 270; 280; 290; 300; 310; 320; 330; 340; 350; 360; 370; 380; 390; 400; 410; 420; 430; 440; 450; 460; 470; 480; 490; 500; 510; 520; 530; 540; 550; 560; 570; 580; 590; 600; 610; 620; 630; 640; 650; 660; 670; 680; 690; 700; 710; 720; 730; 740; 750; 760; 770; 780; 790; 800; 810; 820; 830; 840; 850; 860; 870; 880; 890; 900; 910; 920; 930; 940; 950; 960; 970; 980; 990; 1000; 1010; 1020; 1030; 1040; 1050; 1060; 1070; 1080; 1090; 1100; 1110; 1120; 1130; 1140; 1150; 1160; 1170; 1180; 1190; 1200; 1210; 1220; 1230; 1240; 1250; 1260; 1270; 1280; 1290; 1300; 1310; 1320; 1330; 1340; 1350; 1360; 1370; 1380; 1390; 1400; 1410; 1420; 1430; 1440; 1450; 1460; 1470; 1480; 1490; 1500; 1510; 1520; 1530; 1540; 1550; 1560; 1570; 1580; 1590; 1600; 1610; 1620; 1630; 1640; 1650; 1660; 1670; 1680; 1690; 1700; 1710; 1720; 1730; 1740; 1750; 1760; 1770; 1780; 1790; 1800; 1810; 1820; 1830; 1840; 1850; 1860; 1870; 1880; 1890; 1900; 1910; 1920; 1930; 1940; 1950; 1960; 1970; 1980; 1990; 2000; 2010; 2020; 2030; 2040; 2050; 2060; 2070; 2080; 2090; 2100; 2110; 2120; 2130; 2140; 2150; 2160; 2170; 2180; 2190; 2200; 2210; 2220; 2230; 2240; 2250; 2260; 2270; 2280; 2290; 2300; 2310; 2320; 2330; 2340; 2350; 2360; 2370; 2380; 2390; 2400; 2410; 2420; 2430; 2440; 2450; 2460; 2470; 2480; 2490; 2500; 2510; 2520; 2530; 2540; 2550; 2560; 2570; 2580; 2590; 2600; 2610; 2620; 2630; 2640; 2650; 2660; 2670; 2680; 2690; 2700; 2710; 2720; 2730; 2740; 2750; 2760; 2770; 2780; 2790; 2800; 2810; 2820; 2830; 2840; 2850; 2860; 2870; 2880; 2890; 2900; 2910; 2920; 2930; 2940; 2950; 2960; 2970; 2980; 2990; 3000; 3010; 3020; 3030; 3040; 3050; 3060; 3070; 3080; 3090; 3100; 3110; 3120; 3130; 3140; 3150; 3160; 3170; 3180; 3190; 3200; 3210; 3220; 3230; 3240; 3250; 3260; 3270; 3280; 3290; 3300; 3310; 3320; 3330; 3340; 3350; 3360; 3370; 3380; 3390; 3400; 3410; 3420; 3430; 3440; 3450; 3460; 3470; 3480; 3490; 3500; 3510; 3520; 3530; 3540; 3550; 3560; 3570; 3580; 3590; 3600; 3610; 3620; 3630; 3640; 3650; 3660; 3670; 3680; 3690; 3700; 3710; 3720; 3730; 3740; 3750; 3760; 3770; 3780; 3790; 3800; 3810; 3820; 3830; 3840; 3850; 3860; 3870; 3880; 3890; 3900; 3910; 3920; 3930; 3940; 3950; 3960; 3970; 3980; 3990; 4000; 4010; 4020; 4030; 4040; 4050; 4060; 4070; 4080; 4090; 4100; 4110; 4120; 4130; 4140; 4150; 4160; 4170; 4180; 4190; 4200; 4210; 4220; 4230; 4240; 4250; 4260; 4270; 4280; 4290; 4300; 4310; 4320; 4330; 4340; 4350; 4360; 4370; 4380; 4390; 4400; 4410; 4420; 4430; 4440; 4450; 4460; 4470; 4480; 4490; 4500; 4510; 4520; 4530; 4540; 4550; 4560; 4570; 4580; 4590; 4600; 4610; 4620; 4630; 4640; 4650; 4660; 4670; 4680; 4690; 4700; 4710; 4720; 4730; 4740; 4750; 4760; 4770; 4780; 4790; 4800; 4810; 4820; 4830; 4840; 4850; 4860; 4870; 4880; 4890; 4900; 4910; 4920; 4930; 4940; 4950; 4960; 4970; 4980; 4990; 5000; 5010; 5020; 5030; 5040; 5050; 5060; 5070; 5080; 5090; 5100; 5110; 5120; 5130; 5140; 5150; 5160; 5170; 5180; 5190; 5200; 5210; 5220; 5230; 5240; 5250; 5260; 5270; 5280; 5290; 5300; 5310; 5320; 5330; 5340; 5350; 5360; 5370; 5380; 5390; 5400; 5410; 5420; 5430; 5440; 5450; 5460; 5470; 5480; 5490; 5500; 5510; 5520; 5530; 5540; 5550; 5560; 5570; 5580; 5590; 5600; 5610; 5620; 5630; 5640; 5650; 5660; 5670; 5680; 5690; 5700; 5710; 5720; 5730; 5740; 5750; 5760; 5770; 5780; 5790; 5800; 5810; 5820; 5830; 5840; 5850; 5860; 5870; 5880; 5890; 5900; 5910; 5920; 5930; 5940; 5950; 5960; 5970; 5980; 5990; 6000; 6010; 6020; 6030; 6040; 6050; 6060; 6070; 6080; 6090; 6100; 6110; 6120; 6130; 6140; 6150; 6160; 6170; 6180; 6190; 6200; 6210; 6220; 6230; 6240; 6250; 6260; 6270; 6280; 6290; 6300; 6310; 6320; 6330; 6340; 6350; 6360; 6370; 6380; 6390; 6400; 6410; 6420; 6430; 6440; 6450; 6460; 6470; 6480; 6490; 6500; 6510; 6520; 6530; 6540; 6550; 6560; 6570; 6580; 6590; 6600; 6610; 6620; 6630; 6640; 6650; 6660; 6670; 6680; 6690; 6700; 6710; 6720; 6730; 6740; 6750; 6760; 6770; 6780; 6790; 6800; 6810; 6820; 6830; 6840; 6850; 6860; 6870; 6880; 6890; 6900; 6910; 6920; 6930; 6940; 6950; 6960; 6970; 6980; 6990; 7000; 7010; 7020; 7030; 7040; 7050; 7060; 7070; 7080; 7090; 7100; 7110; 7120; 7130; 7140; 7150; 7160; 7170; 7180; 7190; 7200; 7210; 7220; 7230; 7240; 7250; 7260; 7270; 7280; 7290; 7300; 7310; 7320; 7330; 7340; 7350; 7360; 7370; 7380; 7390; 7400; 7410; 7420; 7430; 7440; 7450; 7460; 7470; 7480; 7490; 7500; 7510; 7520; 7530; 7540; 7550; 7560; 7570; 7580; 7590; 7600; 7610; 7620; 7630; 7640; 7650; 7660; 7670; 7680; 7690; 7700; 7710; 7720; 7730; 7740; 7750; 7760; 7770; 7780; 7790; 7800; 7810; 7820; 7830; 7840; 7850; 7860; 7870; 7880; 7890; 7900; 7910; 7920; 7930; 7940; 7950; 7960; 7970; 7980; 7990; 8000; 8010; 8020; 8030; 8040; 8050; 8060; 8070; 8080; 8090; 8100; 8110; 8120; 8130; 8140; 8150; 8160; 8170; 8180; 8190; 8200; 8210; 8220; 8230; 8240; 8250; 8260; 8270; 8280; 8290; 8300; 8310; 8320; 8330; 8340; 8350; 8360; 8370; 8380; 8390; 8400; 8410; 8420; 8430; 8440; 8450; 8460; 8470; 8480; 8490; 8500; 8510; 8520; 8530; 8540; 8550; 8560; 8570; 8580; 8590; 8600; 8610; 8620; 8630; 8640; 8650; 8660; 8670; 8680; 8690; 8700; 8710; 8720; 8730; 8740; 8750; 8760; 8770; 8780; 8790; 8800; 8810; 8820; 8830; 8840; 8850; 8860; 8870; 8880; 8890; 8900; 8910; 8920; 8930; 8940; 8950; 8960; 8970; 8980; 8990; 9000; 9010; 9020; 9030; 9040; 9050; 9060; 9070; 9080; 9090; 9100; 9110; 9120; 9130; 9140; 9150; 9160; 9170; 9180; 9190; 9200; 9210; 9220; 9230; 9240; 9250; 9260; 9270; 9280; 9290; 9300; 9310; 9320; 9330; 9340; 9350; 9360; 9370; 9380; 9390; 9400; 9410; 9420; 9430; 9440; 9450; 9460; 9470; 9480; 9490; 9500; 9510; 9520; 9530; 9540; 9550; 9560; 9570; 9580; 9590; 9600; 9610; 9620; 9630; 9640; 9650; 9660; 9670; 9680; 9690; 9700; 9710; 9720; 9730; 9740; 9750; 9760; 9770; 9780; 9790; 9800; 9810; 9820; 9830; 9840; 9850; 9860; 9870; 9880; 9890; 9900; 9910; 9920; 9930; 9940; 9950; 9960; 9970; 9980; 9990; 10000; 10001; 10002; 10003; 10004; 10005; 10006; 10007; 10008; 10009; 10010; 10011; 10012; 10013; 10014; 10015; 10016; 10017; 10018; 10019; 10020; 10021; 10022; 10023; 10024; 10025; 10026; 10027; 10028; 10029; 10030; 10031; 10032; 10033; 10034; 10035; 10036; 10037; 10038; 10039; 10040; 10041; 10042; 10043; 10044; 10045; 10046; 10047; 10048; 10049; 10050; 10051; 10052; 10053; 10054; 10055; 10056; 10057; 10058; 10059; 10060; 10061; 10062; 10063; 10064; 10065; 10066; 10067; 10068; 10069; 10070; 10071; 10072; 10073; 10074; 10075; 10076; 10077; 10078; 10079; 10080; 10081; 10082; 10083; 10084; 10085; 10086; 10087; 10088; 10089; 10090; 10091; 10092; 10093; 10094; 10095; 10096; 10097; 10098; 10099; 10100; 10101; 10102; 10103; 10104; 10105; 10106; 10107; 10108; 10109; 10110; 10111; 10112; 10113; 10114; 10115; 10116; 10117; 10118; 10119; 10120; 10121; 10122; 10123; 10124; 10125; 10126; 10127; 10128; 10129; 10130; 10131; 10132; 10133; 10134; 10135; 10136; 10137; 10138; 10139; 10140; 10141; 10142; 10143; 10144; 10145; 10146; 10147; 10148; 10149; 10150; 10151; 10152; 10153; 10154; 10155; 10156; 10157; 10158; 10159; 10160; 10161; 10162; 10163; 10164; 10165; 10166; 10167; 10168; 10169; 10170; 10171; 10172; 10173; 10174; 10175; 10176; 10177; 10178; 10179; 10180; 10181; 10182; 10183; 10184; 10185; 10186; 10187; 10188; 10189; 10190; 10191; 10192; 10193; 10194; 10195; 10196; 10197; 10198; 10199; 10200; 10201; 10202; 10203; 10204; 10205; 10206; 10207; 10208; 10209; 10210; 10211; 10212; 10213; 10214; 10215; 10216; 10217; 10218; 10219; 10220; 10221; 10222; 10223; 10224; 10225; 10226; 10227; 10228; 10229; 10230; 10231; 10232; 10233; 10234; 10235; 10236; 10237; 10238; 10239; 10240; 10241; 10242; 10243; 10244; 10245; 10246; 10247; 10248; 10249; 10250; 10251; 10252; 10253; 10254; 10255; 10256; 10257; 10258; 10259; 10260; 10261; 10262; 10263; 10264; 10265; 10266; 10267; 10268; 10269; 10270; 10271; 10272; 10273; 10274; 10275; 10276; 10277; 10278; 10279; 10280; 10281; 10282; 10283; 10284; 10285; 10286; 10287; 10288; 10289; 10290; 10291; 10292; 10293; 10294; 10295; 10296; 10297; 10298; 10299; 10300; 10301; 10302; 10303; 10304; 10305; 10306; 10307; 10308; 10309; 10310; 10311; 10312; 10313; 10314; 10315; 10316; 10317; 10318; 10319; 10320; 10321; 10322; 10323; 10324; 10325; 10326; 10327; 10328; 10329; 10330; 10331; 10332; 10333; 10334; 10335; 10336; 10337; 10338; 10339; 10340; 10341; 10342; 10343; 10344; 10345; 10346; 10347; 10348; 10349; 10350; 10351; 10352; 10353; 10354; 10355; 10356; 10357; 10358; 10359; 10360; 10361; 10362; 10363; 10364; 10365; 10366; 10367; 10368; 10369; 10370; 10371; 10372; 10373; 10374; 10375; 10376; 10377; 10378; 10379; 10380; 10381; 10382; 10383; 10384; 10385; 10386; 10387; 10388; 10389; 10390; 10391; 10392; 10393; 10394; 10395; 10396; 10397; 10398; 10399; 10400; 10401; 10402; 10403; 10404; 10405; 10406; 10407; 10408; 10409; 10410; 10411; 10412; 10413; 10414; 10415; 10416; 10417; 10418; 10419; 10420; 10421; 10422; 10423; 10424; 10425; 10426; 10427; 10428; 10429; 10430; 10431; 10432; 10433; 10434; 10435; 10436; 10437; 10438; 10439; 10440; 10441; 10442; 10443; 10444; 10445; 10446; 10447; 10448; 10449; 10450; 10451; 10452; 10453; 10454; 10455; 10456; 10457; 10458; 10459; 10460; 10461; 10462; 10463; 10464; 10465; 10466; 10467; 10468; 10469; 10470; 10471; 10472; 10473; 10474; 10475; 10476; 10477; 10478; 10479; 10480; 10481; 10482; 10483; 10484; 10485; 10486; 10487; 10488; 10489; 10490; 10491; 10492; 10493; 10494; 10495; 10496; 10497; 10498; 10499; 10500; 10501; 10502; 10503; 10504; 10505; 10506; 10507; 10508; 10509; 10510; 10511; 10512; 10513; 10514; 10515; 10516; 10517; 10518; 10519; 10520; 10521; 10522; 10523; 10524; 10525; 10526; 10527; 10528; 10529; 10530; 10531; 10532; 10533; 10534; 10535; 10536; 10537; 10538; 10539; 10540; 10541; 10542; 10543; 10544; 10545; 10546; 10547; 10548; 10549; 10550; 10551; 10552; 10553; 10554; 10555; 10556; 10557; 10558; 10559; 10560; 10561; 10562; 10563; 10564; 10565; 10566; 10567; 10568; 10569; 10570; 10571; 10572; 10573; 10574; 10575; 10576; 10577; 10578; 10579; 10580; 10581; 10582; 10583; 10584; 10585; 10586; 10587; 10588; 10589; 10590; 10591; 10592; 10593; 10594; 10595; 10596; 10597; 10598; 10599; 10600; 10601; 10602; 10603; 10604; 10605; 10606; 10607; 10608; 10609; 10610; 10611; 10612; 10613; 10614; 10615; 10616; 10617; 10618; 10619; 10620; 10621; 10622; 10623; 10624; 10625; 10626; 10627; 10628; 10629; 10630; 10631; 10632; 10633; 10634; 10635; 10636; 10637; 10638; 10639; 10640; 10641; 10642; 10643; 10644; 10645; 10646; 10647; 10648; 10649; 10650; 10651; 10652; 10653; 10654; 10655; 10656; 10657; 10658; 10659; 10660; 10661; 10662; 10663; 10664; 10665; 10666; 10667; 10668; 10669; 10670; 10671; 10672; 10673; 10674; 10675; 10676; 10677; 10678; 10679; 10680; 10681; 10682; 10683; 10684; 10685; 10686; 10687; 10688; 10689; 10690; 10691; 10692; 10693; 10694; 10695; 10696; 10697; 10698; 10699; 10700; 10701; 10702; 10703; 10704; 10705; 10706; 10707; 10708; 10709; 10710; 10711; 10712; 10713; 10714; 10715; 10716; 10717; 10718; 10719; 10720; 10721; 10722; 10723; 10724; 10725; 10726; 10727; 10728; 10729; 10730; 10731; 10732; 10733; 10734; 10735; 10736; 10737; 10738; 10739; 10740; 10741; 10742; 10743; 10744; 10745; 10746; 10747; 10748; 10749; 10750; 10751; 10752; 10753; 10754; 10755; 10756; 10757; 10758; 10759; 10760; 10761; 10762; 10763; 10764; 10765; 10766; 10767; 10768; 10769; 10770; 10771; 10772; 10773; 10774; 10775; 10776; 1077	



70 Limes m. Sicomet 8300

	Matr.:	Overfl.beh.: Nej	Målförhold:	Ikke ang. tol. efter DS/ISO 2768-	
C: Pos. 60: MC5x10 fjernet. 300997 BMJ/		Projektionsmetode	1:5	Date	Sign.
B: Pos. nr. 80+90 tilf. (2-uls -> 2-MC) 170596 BMJ/JTV				Tegn: 260594	BRY
A: Lim påført. 211295 BRY.				Kontr.	
LaboPress-1, komplet			Erst.:	15050001C	



Heat zink compound imellem PT100 og den plane ALU-flade i hele længden. PT100 skal ligge tæt an mod fladen.

Typeskilt placeres nederst på unit, lige over skrue.

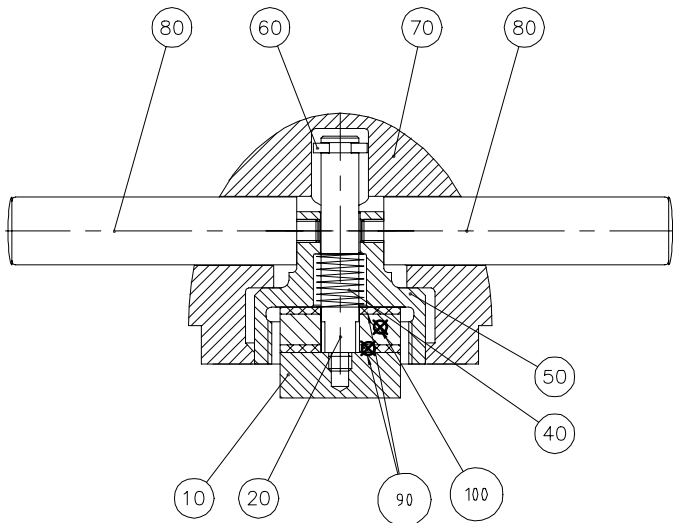
Smøres udvendig med Unisilikon TK M 1011

Artikelnr.:		
15360030	Cylinder-unit ø25	100-120V
15360031	Cylinder-unit ø30	100-120V
15360032	Cylinder-unit ø1 1/4"	100-120V
15360033	Cylinder-unit ø1 1/2"	100-120V
15360034	Cylinder-unit ø40	100-120V
15360035	Cylinder-unit ø50	100-120V
15360050	Cylinder-unit ø25	95V
15360051	Cylinder-unit ø30	95V
15360052	Cylinder-unit ø1 1/4"	95V
15360053	Cylinder-unit ø1 1/2"	95V
15360054	Cylinder-unit ø40	95V
15360055	Cylinder-unit ø50	95V
15360060	Cylinder-unit ø25	220-240V
15360061	Cylinder-unit ø30	220-240V
15360062	Cylinder-unit ø1 1/4"	220-240V
15360063	Cylinder-unit ø1 1/2"	220-240V
15360064	Cylinder-unit ø40	220-240V
15360065	Cylinder-unit ø50	220-240V

16.5 Ω Ved 110V/750W : 1 prik  
 70 Ω Ved 230V/750W : 2 prikker.  
 12 Ω Ved 95V/750W : 3 prikker.


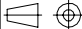
- 20 30 40 Se mont,vejledning: 15360075
- 230 Omnifit 230M
- 190 Gevind smøres med Unisilcon L250L

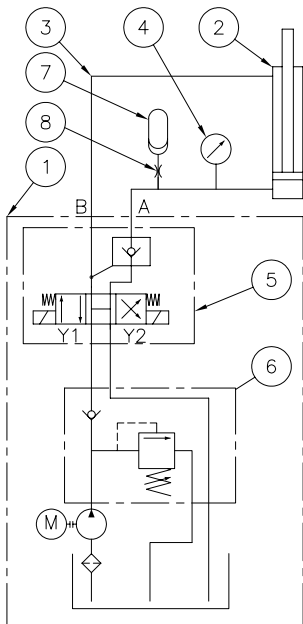
C: Artikelnr. fra 50->55 tilf. 3prikker ved 95V/750W tilf. 23/9-99 CVE/JTV		B: Smøres udvendig med Unisilcon..... tilf. 161198 BMJ/JTV	
A: Tekst til PT100 tilf. 27/1-98 CVE/JTV		Målforskel: Ikke ang. tol. efter DS/ISO 2768- mK	
Matr.:	Overfl.beh.: Nej	Projektionsmetode: 1:1	Dato: 29/09/77
			Sign.: BRY
			Kontr.: 151097 JTV
Cylinder-unit, samlet		Erst.: 15360036C	



Artikelnr.:

- 15360020 Toplukke  $\varnothing$ 25.  
 15360021 Toplukke  $\varnothing$ 30.  
 15360022 Toplukke  $\varnothing$ 1 $\frac{1}{4}$ ".  
 15340023 Toplukke  $\varnothing$ 1 $\frac{1}{2}$ ".  
 15360024 Toplukke  $\varnothing$ 40.  
 15360025 Toplukke  $\varnothing$ 50.

	Matr.:	Overfl.beh.:	Målforhold:	Ikke ang. tol. efter DS/ISO 2768-		
		Projektionsmetode 	1:1		Dato	Sign.
				Tegn:	290997	BRY
				Kontr.	221100	JTV
A: 90 PEEK og 100 RS tilføjet. JTV 201100	Toplukke, samlet		Erst.:	15360026A		



1. Hydraulic Powerpack
2. Double-acting Hydraulic Cylinder
3.  $\varnothing 5$  Polyamid Tube
4. Pressure Gauge
5. Valve Manifold
6. Relief Valve
7. Accumulator
8. Throttle Plug

D: 1 stk. Throttle Plug  
03-08-2004 MPE/JTV

Matr.: LaboPress-1

Overfl.beh.:

Målforhold: Ikke ang. tol. efter  
DS/ISO 2768-

C: Y1 Y2 ændret.  
101297 BMJ/

**Struers**

Projektionsmetode



	Dato	Sign.
Tegn:	070895	BMJ
Kontr.		

B: Y1 og Y2 påført.  
130396 BMJ/JTV

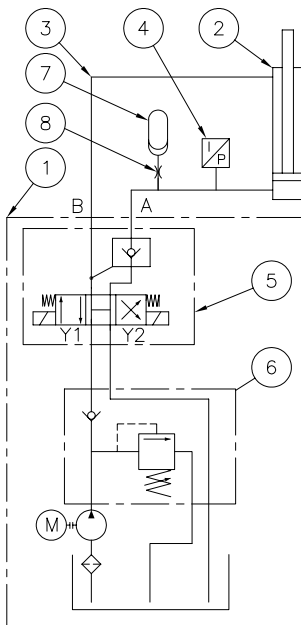
Hydraulic Diagram

Erst.:

A: Symbol ved Pos 5  
rettet. 130995 BMJ/

15051001 D





1. Hydraulic Powerpack
2. Double-acting Hydraulic Cylinder
3. ø5 Polyamid Tube
4. Pressure Transmitter
5. Valve Manifold
6. Relief Valve
7. Accumulator
8. Throttle Plug

D: 1 stk. Throttle Plug  
03-08-2004 MPE/JTV

C: Y1,Y2 ændret.  
270197 BMJ/

B: Y1 og Y2 påført.  
130396 BMJ/

A: symbol ved Pos 5  
rettet. 200995 BMJ/

Matr.: LaboPress-3

 **Struers**

Hydraulic Diagram

Overfl.beh.:

Projektionsmetode



Målforhold:

Ikke ang. tol. efter  
DS/ISO 2768-

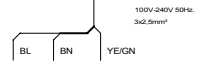
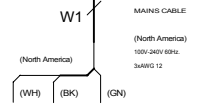
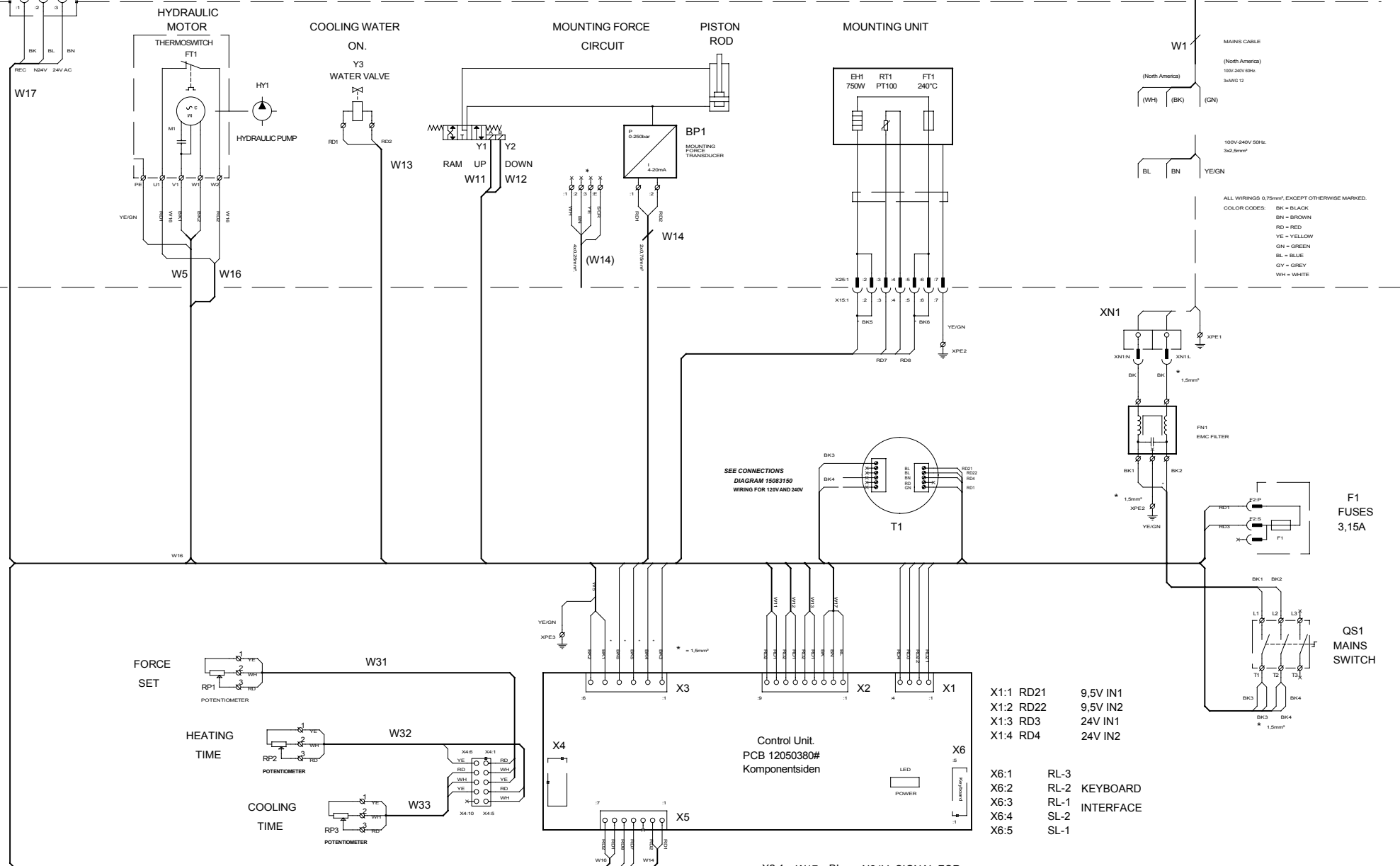
Dato Sign.

Tegn: 070895 BMJ

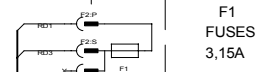
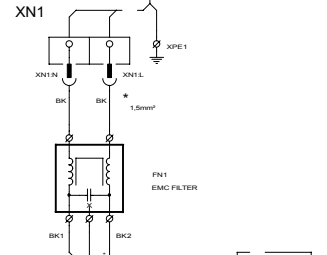
Kontr.

Erst.:

15081004 D



ALL WIRINGS 0.75mm<sup>2</sup> EXCEPT OTHERWISE MARKED.  
 BK = BLACK  
 BN = BROWN  
 RD = RED  
 YE = YELLOW  
 GN = GREEN  
 BL = BLUE  
 GY = GREY  
 WH = WHITE



SEE CONNECTIONS  
 DIAGRAM 15083150  
 WIRING FOR 120V AND 240V

- X1:1 RD21 9,5V IN1
- X1:2 RD22 9,5V IN2
- X1:3 RD3 24V IN1
- X1:4 RD4 24V IN2
- X6:1 RL-3
- X6:2 RL-2 KEYBOARD
- X6:3 RL-1 INTERFACE
- X6:4 SL-2
- X6:5 SL-1

- X5:1 W14 RD1 +12V PRESSURE (BN)
- X5:2 W14 RD2 I IN TRANSMITTER (YE)
- X5:3 W14 N.C. AVREF- (WH)
- X5:4 RD7 R IN THERMISTOR
- X5:5 RD8 GND PT100
- X5:6 W16 RD1 SW. IN TERMOSWITCH
- X5:7 W16 RD2 GND PUMP MOTOR

- X3:1 BK3 N100-240V POWER IN
- X3:2 BK4 L100-240V
- X3:3 RD3 N100-240V HEATING
- X3:4 BK6 OUT ON
- X3:5 W5 BK1 N100-240V PUMP MOTOR
- X3:6 W5 BK2 OUT ON

- X2:1 W17 BL N24V SIGNAL FOR
- X2:2 W17 BN L24V AC OUT.
- X2:3 W17 BK OUT1 RECIRCUL. ON
- X2:4 W13 RD1 N24V COOLING
- X2:5 W13 RD2 OUT4 Y3
- X2:8 W11 RD1 N24V RAM UP
- X2:9 W11 RD2 OUT2 Y1
- X2:6 W12 RD1 N24V RAM DOWN
- X2:7 W12 RD2 OUT3 Y2

\* BP1; ONLY VOLTAGE OUT TRANSDUCER.

REV A: X2:2 BK -> BN X2:3 BN -> BK X1:1 BK -> X1:2 X1:2 BK -> X1:1 REV B: X1:2 -> X1:1 REV C: X1:1 -> X1:2 REV D: X1:1 -> X1:2 REV E: X1:1 -> X1:2	Rev. E: W1 14W/0 - 12AWG Rev. F: W1, BK(BK) -> BL(WH) S 19.02.95(DEN)	STRIKERS A/S VALVEVEJER ALLE 170 DK-2610 RØRDOVRVE 2300 RAMMEVEJ 5400 5400
REV B: NEW SYMBOL Y1=Y2+Y3+Y4	REV D: New T1 -> New connection	WIRING DIAGRAM <b>LABO PRESS-3</b> SINGLE MOUNTING UNIT MAINS 100V - 240V 50/60Hz
REV D: W11 -> W12 X2:3 -> X2:2 X2:2 -> X2:3	Monday, December 11, 2000 Friday, October 08, 1995	SCALE: 061025/ETH
REV E: X1:1 -> X1:2 X1:2 -> X1:1 X2:3 -> X2:2 X2:2 -> X2:3	Size: SAGE CODE DWG NO: 15083450 EPR: 01	15083450



Dansk

## Overensstemmelseserklæring



**Fabrikant**  
Struers A/S  
Pederstrupvej 84  
DK-2750 Ballerup, Danmark  
Telefon 44 600 800

erklærer herved, at

<i>Produkt navn:</i>	LaboPress-3
<i>Type nr.:</i>	508
<i>Maskintype:</i>	Indstøbningsapparat

er i overensstemmelse med følgende EU-direktiver:

**Maskindirektivet** 98/37/EF efter følgende norm(er):  
EN ISO 12100-1:2003, EN ISO 12100-2:2003, EN60204-1:1997.


**EMC-direktivet** 2004/108/EF efter følgende norm(er):  
EN61000-6-1:2002, EN61000-6-3:2002.

**Lavspændingsdirektivet** 2006/95/EF efter følgende norm(er):  
EN60204-1:1997.

**Supplerende oplysninger** Endvidere overholdes de amerikanske normer:  
FCC part 15, subpart B og UL508

**Ovenstående overensstemmelse(r) er erklæret iflg. den globale metode, modul A**

Dato: 04.12.2007

  
Christian Skjold Heyde,  
Vice President, Udvikling og Produktion, Struers A/S

English

## Declaration of Conformity



**Manufacturer**  
Struers A/S  
Pederstrupvej 84  
DK-2750 Ballerup, Denmark  
Telephone +45 44 600 800

Herewith declares that

<i>Product Name:</i>	LaboPress-3
<i>Type No:</i>	508
<i>Machine Type:</i>	Mounting Apparatus

is in conformity with the provisions of the following directives:

**Safety of Machinery** 98/37/EEC according to the following standard(s):  
EN ISO 12100-1:2003, EN ISO 12100-2:2003, EN60204-1:1997.

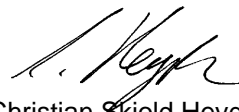
**EMC-Directive** 2004/108/EEC according to the following standard(s):  
EN61000-6-1:2002, EN61000-6-3:2002.

**Low Voltage Directive** 2006/95/EEC according to the following standard(s):  
EN60204-1:1997.

**Supplementary Information** The equipment complies with the American standards:  
FCC part 15, subpart B and UL508.

**The above has been declared according to the global method, module A**

Date: 04.12.2007

  
Christian Skjold Heyde,  
Vice President, R& D and Production, Struers A/S

**Hersteller**  
Struers A/S  
Pederstrupvej 84  
DK-2750 Ballerup, Danmark  
Telefon +45 44 600 800

erklärt hiermit, daß

<i>Produktname:</i>	LaboPress-3
<i>Typennr.:</i>	508
<i>Maschinenart:</i>	Einbettpresse

konform ist mit den einschlägigen EG-Richtlinien

**Sicherheit der Betriebsanlage** 98/37/EWG gemäß folgender Normen:  
EN ISO 12100-1:2003, EN ISO 12100-2:2003, EN60204-1:1997.

**EMC-Direktive** 2004/108/EWG gemäß folgender Normen:  
EN61000-6-1:2002, EN61000-6-3:2002.

**Niederspannungs - Direktive** 2006/95/EWG gemäß folgender Normen:  
EN60204-1:1997.

**Ergänzungs-information** Die Maschine entspricht ebenfalls den amerikanischen FCC Normen:  
FCC Teil 15, Abschnitt B und UL508

**Die obenstehende Konformität ist in Folge der globalen Methode, Modul A erklärt**

Datum: 04.12.2007



Christian Skjold Heyde,  
Stellvertretender Geschäftsführer, Entwicklung und Produktion,  
Struers A/S

**Fabricant**  
Struers A/S  
Pederstrupvej 84  
DK-2750 Ballerup, Denmark  
Téléphone +45 44 600 800

Déclare ci-après que

<i>Nom du produit:</i>	LaboPress-3
<i>Type no:</i>	508
<i>Type de machine:</i>	Machine d'enrobage

est conforme aux dispositions des Directives CEE suivantes:

**Sécurité des machines** 98/37/CEE conforme aux normes suivantes:  
EN ISO 12100-1:2003, EN ISO 12100-2:2003, EN60204-1:1997.

**Directive EMC** 2004/108/CEE conforme aux normes suivantes:  
EN61000-6-1:2002, EN61000-6-3:2002.

**Directive de basse tension** 2006/95/CEE conforme aux normes suivantes:  
EN60204-1:1997.

**Informations supplémentaires** L'équipement est conforme aux standards américains:  
FCC paragraphe 15, sous-paragraphe B et UL508.

**La déclaration ci-dessus a été faite d'après la méthode globale, module A**

Date: 04.12.2007



Christian Skjold Heyde,  
Vice- President, R& D et Production, Struers A/S

# LaboPress-3

 **Struers**



**Fully automatic mounting press for hot mounting of all materials. Equipped with low energy consuming mounting unit**

## Easy operation

### Setting of mounting parameters

Once the mounting parameters like: heating time, force and cooling time are set, insert the sample and resin, put on the top closure and press the start button. Your mounts will be finished in extremely short time.

## Energy saving

### New highly effective mounting units

Innovative design has merged the heating/cooling coils and the mounting cylinder into one compact and light-weight unit. This allows for a very rapid heat transfer and thus for a very fast heating and cooling. The power consumption of the heating unit could be reduced to 750 W while the efficiency compared to conventional presses could be increased by about 100 %. This means that only half the energy is sufficient to heat up the mounting unit in a far shorter time as a conventional press could do.

### Two heating levels

It is possible to set the temperature to two different levels. For mounting of heat

sensitive samples it can be set to 150 °C whereas all normal samples should be mounted at 180 °C to produce fast results.

## Different mount sizes - easy exchange

### Up to 50 mm mounts

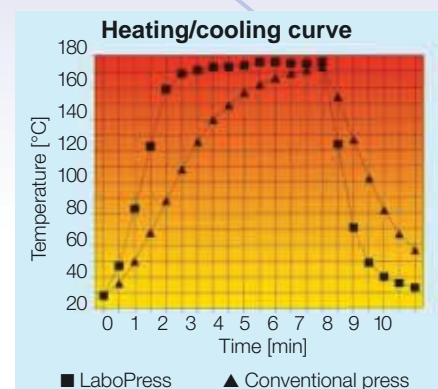
Due to the use of quick couplings for the water supply and a plug for the electrical connection, the complete mounting unit is exchanged in seconds. Six different cylinder diameters ranging from 25-50 mm and 1¼" - 1½" are available making LaboPress-3 suitable for all possible applications.

### Intermediate ram

By using an optional intermediate ram, the capacity of the press can be doubled as two mounts can be produced at the same time.

### New top closure

The new top closure, specially developed for the new series of presses, combines the advantages of both bayonet and threaded closure.



Equipped with a triple external thread, the new closure will always "catch" like a bayonet and the threads will force the upper ram down into the cylinder, highly facilitating the work for the operator. As the threads are external, contamination with resin is highly unlikely.

## Electro-hydraulic pump

### Low energy consumption - Low noise level

The electro-hydraulic unit has an advanced motor control to stop the motor whenever the pre-set pressure is reached. This results in low energy consumption and a very low noise level.



**Struers A/S**  
Pederstrupvej 84  
DK-2750 Ballerup, Denmark  
Phone +45 44 600 800  
Fax +45 44 600 801  
struers@struers.dk  
www.struers.com

## Technical Data

LaboPress-3		
<b>Mounting Unit</b>	Mounting dia. interchangeable	25, 30, 40, 50 mm and 1¼", 1½"
	Dual mounts	Optional intermediate ram
<b>Mounting Parameters</b>	Force range, kN	0-50 Continuously adjustable
	Heating temperature, °C	150 / 180
	Heating time, min	0-15
	Cooling time, min	0-15
<b>Electronics</b>	Controls	Touch pads, knobs
	Process control for heating	Time Temperature Force
	Process control for cooling	Time Force (same as for heating)
	Automatic release of pressure	Yes
	Read out during mounting process heating temperature	Actual proces step Preset heating time, cooling time,
<b>Safety Standards</b> conforming to CE and FCC	General	89/392/EEC & 91/386/EEC & 93/44/EEC EN292-1, EN292-2, EN60204-1 (IEC 204-1)
	EMC	89/336/EEC & 92/231/EEC EN50081-2, EN50082-2 FCC eil 15, Abschnitt B
<b>Supply</b>	Electrical, no of phases	1
	Power consumption, W	
	Max total	1500
	Mounting unit	750
Water	Tap water	Min 1 bar, max 10 bar
	Recirculating cooling unit connected with ROPRE	Automatic start/stop of TREC1
<b>Dimensions and Weight</b>	Width x depth x height, mm (Mounting Unit with Top Closure installed)	420 x 580 x 420
	Weight, kg	38

## Specification

### LaboPress-3

Automatic, electro-hydraulic mounting press with pre-setting of force, heating time and time for water cooling. Mounting units in a range from 25-50 mm dia. are accommodated. The mounting unit is ordered separately

## Code

LABTE

### Mounting Unit for ProntoPress-20, ProntoPress-10, LaboPress-3 and LaboPress-1

Consisting of cylinder, upper and lower ram, heating/cooling unit and top closure.

Cylinder diameter 25 mm	CYNMI
Cylinder diameter 30 mm	CYNTE
Cylinder diameter 1¼"	CYNQU
Cylinder diameter 1½"	CYNHA
Cylinder diameter 40 mm	CYNIF
Cylinder diameter 50 mm	CYNAM

### Intermediate Ram

For making 2 mounts in ProntoPress-20, ProntoPress-10, LaboPress-3, LaboPress-1, PrimoPress, ProntoPress-2, PredoPress and Prestopress-3. Please state cylinder diameter

CYLDO

*Struers' products are subject to constant product development. Therefore, we reserve the right to introduce changes in our products without notice.*

## DEUTSCHLAND

**Struers GmbH**  
Karl-Arnold-Strasse 13 B  
D-47877 Willich  
Telefon +49/(0) 21 54/4 86-0  
e-mail: verkauf.struers@struers.de

## ÖSTERREICH

**Struers GmbH**  
Zweigniederlassung Österreich  
Ginzkeyplatz 10  
A-5020 Salzburg  
Telefon (0662) 625711  
e-mail: stefan.lintschinger@struers.de

## SCHWEIZ

**Struers GmbH**  
Zweigniederlassung Schweiz  
Weissenbrunnenstrasse 41  
CH-8903 Birmensdorf  
Telefon (01) 77763-07  
e-mail: rudolf.weber@struers.de

## THE NETHERLANDS

**Struers GmbH Nederland**  
Electraweg 5  
NL-3144 CB Maassluis  
Tel.: +31 (0) 10 599 72 09  
e-mail: glen.van.vugt@struers.de

## CZECH REPUBLIC

**Struers GmbH**  
Ocalářská 799  
CZ-190 00 Praha 9  
Tel. 02 / 84 818 227  
e-mail: david.cernicky@struers.de

## POLAND

**Struers Sp. z o.o.**  
Oddział w Polsce  
ul. Lirowa 27  
PL-02-387 Warszawa  
Tel.: 022/824 52 80  
e-mail: grzegorz.uszynski@struers.de

## HUNGARY

**Struers GmbH**  
Magyarországi fióktelep  
Puskás Tivadar u. 4  
H-2040 Budaörs  
Phone (23) 428-742  
Fax (23) 428-741  
e-mail: zoltan.kiss@struers.de

## FRANCE

**Struers S.A.S.**  
370, rue du Marché Rollay  
F- 94507 Champigny  
sur Marne Cedex  
Téléphone +33 1 55 09 14 30/31  
e-mail: struers@struers.fr

## BELGIQUE

**Struers S.A.S.**  
370, rue du Marché Rollay  
F- 94507 Champigny  
sur Marne Cedex  
Téléphone +32 43 70 93 18  
e-mail: struers@struers.fr

## JAPAN

**Marumoto Struers K.K.**  
Takara 3rd Building  
18-6, Higashi Ueno 1-chome  
Taito-ku, Tokyo 110-0015,  
Phone: +81 3 5688-2914  
e-mail: struers@struers.co.jp

## SINGAPORE

**Struers A/S**  
10 Eunos Road 8, #12-06 North Lobby  
Singapore Post Centre  
Singapore 408600  
Phone +65 6299 2268  
e-mail: struers.sg@struers.dk

## UNITED KINGDOM

**Struers Ltd.**  
Erskine Ferry Road, Old Kilpatrick  
Glasgow, G60 5EU  
Phone 01 389 877 222  
e-mail: info@struers.co.uk

## USA and CANADA

**Struers Inc.**  
24766 Detroit Road  
Westlake, OH 44145-1598  
Phone (888) 787-8377  
e-mail: info@struers.com

# LaboPress-3

 **Struers**

**Vollautomatische  
Einbettpresse zum  
Warmeinbetten aller  
Materialien.  
Das Gerät ist mit  
einer Einbetteneinheit  
mit niedrigem  
Energieverbrauch  
ausgestattet**



## Leichte Bedienung

### Einstellung der Einbettparameter

Nachdem die Einbettparameter wie Heizzeit, Kraft und Kühlzeit eingestellt sind, brauchen Sie nur noch die Probe und das Einbettmittel in das Gerät zu geben und dieses mit dem Verschuß verschließen. Nachdem der Startknopf gedrückt ist, werden Ihre Proben in kürzester Zeit fertiggestellt sein.

## Energie sparen

### Neue Einbetteneinheiten mit hohem Wirkungsgrad

Ein innovatives Produktdesign hat die Heiz/Kühlelemente und den Einbettzylinder zu einer leichten und kompakten Einheit zusammengefaßt. Dies hat einen beschleunigten Wärmetransport zur Folge, der für schnelle Erwärmung/Abkühlung sorgt. Der Energiebedarf des Heizelements ist auf 750 Watt gesenkt worden, wogegen der Wirkungsgrad, bezogen auf konventionelle Pressen, um 100% gestiegen ist. Ein solcher Vergleich zeigt auch, daß das Gerät mit halbiertem Energiebedarf und in weit kürzerer Zeit den Sollwert der Temperatur erreicht.

## Zwei Heizniveaus

Die Heiztemperatur ist auf zwei Werte einstellbar. Bei normalen Einbettungen werden die raschesten Ergebnisse mit dem 180 °C Niveau erreicht. Liegen wärmeempfindliche Materialien vor, so wird als Temperatureinstellung 150 °C gewählt.

## Unterschiedliche Einbettgrößen

### - leichte Auswechselbarkeit Einbettungen bis zu 50 mm Durchmesser

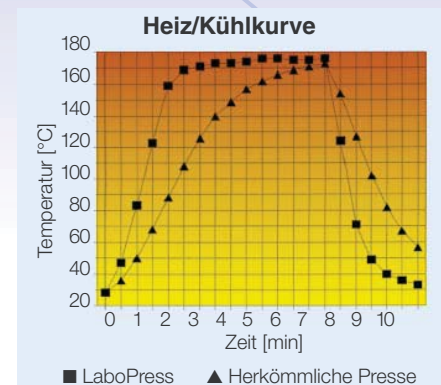
Die neue Einbetteneinheit ist mit einer Schnellkupplung für den Wasseranschluß und einer elektrischen Steckverbindung ausgestattet, wodurch die komplette Einheit in Sekundenschnelle auswechselbar ist. Es werden sechs unterschiedliche Zylinderdurchmesser von 25-50 mm und 1¼" - 1½" Zoll angeboten, weshalb LaboPress-3 sich für alle erdenklichen Anwendungen eignet.

## Zwischenstempel

Die Verwendung eines Zwischenstempels verdoppelt den Probenumsatz der Presse, weil gleichzeitig zwei Proben hergestellt werden.

## Neuartiger Verschuß

Für die neue Pressengeneration ist ein neuartiger Verschuß entwickelt worden, der die Vorteile von Bajonett- und Gewindeverschluß in sich vereint. Ein dreifaches Außengewinde stellt sicher, daß der Verschuß zwar wie ein Bajonett-Typ einrastet, gleichzeitig aber den oberen Stempel nach unten in den Zylinder schiebt, was den Arbeitsablauf für den Benutzer ganz erheblich vereinfacht.



Die Außenlage des Gewindes vermeidet eine Verschmutzung mit Einbettmittel.

## Elektrische Hydraulikpumpe Geringer Energiebedarf- niedriger Geräuschpegel

Die elektrische Hydraulikpumpe wird mit einer hochentwickelten Motor-steuerung

betrieben, die den Motor bei Erreichen des voreingestellten Drucks abschaltet. Aus dieser Maßnahme folgt ein geringerer Energiekonsum und ein sehr niedriger Geräuschpegel.



**Struers A/S**  
Pederstrupvej 84  
DK-2750 Ballerup, Denmark  
Phone +45 44 600 800  
Fax +45 44 600 801  
struers@struers.dk  
www.struers.com

### Technische Daten

LaboPress-3		
<b>Einbettseinheit</b>	Einbettdurchmesser	25, 30, 40, 50 mm und 1¼", 1½"
	Auswechselbar	
	Doppelte Einbettungen	Zubehör; Zwischenstempel
<b>Einbettparameter</b>	Kraft Bereich, kN	0-50 stufenlos einstellbar
	Heiztemperatur, °C	150 / 180
	Heizzeit, min	0-15
	Kühlzeit, min	0-15
<b>Elektronik</b>	Tastenfeld	Folienschalter, Knöpfe
	Verfahrenskontrolle beim Heizen	Zeit Temperatur Kraft
	Verfahrenskontrolle beim Kühlen	Zeit Kraft (wie beim Heizen)
	Automatische Druckfreibage	Ja
	Ablesen während des Einbettvorganges	In welcher Stufe des Einbettvorganges befindet man sich Voreingestellte Heizzeit, Kühlzeit, Heiztemperatur
	<b>Sicherheitsklassen</b> entspricht: CE and FCC	Allgemein
	EMC	89/336/EEC & 92/231/EEC EN50081-2, EN50082-2 FCC Teil 15, Abschnitt B
<b>Stromversorgung</b>	Elektrisch, Anzahl der Phasen	1
	Stromverbrauch, W	
	Total	1500
	Einbettseinheit	750
	Wasser	Leitungswasser Min 1 bar, max 10 bar
	Umlaufkühleinheit	Automatischer Start/Stop von TREC1 verbunden durch ROPRE
<b>Abmessungen und Gewicht</b>	Breite x Tiefe x Höhe, mm (Einbettseinheit mit Verschlussmontiert)	420 x 580 x 420
	Gewicht, kg	38

### Spezifikation

Spezifikation	Kennwort
<b>LaboPress-3</b> Automatische, elektro-hydraulische Einbettpresse mit voreinstellbarer Kraft, Heizzeit und Wasserkühlzeit. Einbettseinheiten in Durchmessern von 25 bis 50 mm können verwendet werden. Die Einbettseinheit wird separat bestellt.	LABTE
<b>Einbettseinheit für ProntoPress-20, ProntoPress-10, LaboPress-3 und LaboPress-1</b> Bestehend aus Zylinder Ober und Unterstempel, Heiz/Kühleinheit und Verschluss	
Zylinderdurchmesser 25 mm	CYNMI
Zylinderdurchmesser 30 mm	CYNTE
Zylinderdurchmesser 1¼"	CYNQU
Zylinderdurchmesser 1½"	CYNHA
Zylinderdurchmesser 40 mm	CYNIF
Zylinderdurchmesser 50 mm	CYNAM
<b>Zwischenstempel</b> Um zwei Einbettungen in ProntoPress-20, ProntoPress-10, LaboPress-3, LaboPress-1. Primopress, Prontopress-2, Predopress und Prestopress-3 herzustellen. Bitte Zylinderdurchmesser angeben	CYLD0

Alle Struers Produkte werden laufend weiter entwickelt. Wir behalten uns deshalb das Recht vor, Änderungen unserer Produkte ohne vorherige Ankündigung vorzunehmen.

### DEUTSCHLAND

**Struers GmbH**  
Karl-Arnold-Strasse 13 B  
D-47877 Willich  
Telefon +49/(0) 21 54/4 86-0  
e-mail: verkauf.struers@struers.de

### ÖSTERREICH

**Struers GmbH**  
Zweigniederlassung Österreich  
Ginzkeyplatz 10  
A-5020 Salzburg  
Telefon (0662) 625711  
e-mail: stefan.lintschinger@struers.de

### SCHWEIZ

**Struers GmbH**  
Zweigniederlassung Schweiz  
Weissenbrunnenstrasse 41  
CH-8903 Birmensdorf  
Telefon (01) 77763-07  
e-mail: rudolf.weber@struers.de

### THE NETHERLANDS

**Struers GmbH Nederland**  
Electraweg 5  
NL-3144 CB Maassluis  
Tel.: +31 (0) 10 599 72 09  
e-mail: gjen.van.vugt@struers.de

### CZECH REPUBLIC

**Struers GmbH**  
Ocelářská 799  
CZ-190 00 Praha 9  
Tel. 02 / 84 818 227  
e-mail: david.cernicky@struers.de

### POLAND

**Struers Sp. z o.o.**  
Oddział w Polsce  
ul. Lirowa 27  
PL-02-387 Warszawa  
Tel.: 022/824 52 80  
e-mail: grzegorz.uszynski@struers.de

### HUNGARY

**Struers GmbH**  
Magyarországi fióktelep  
Puskás Tivadar u. 4  
H-2040 Budaörs  
Phone (23) 428-742  
Fax (23) 428-741  
e-mail: zoltan.kiss@struers.de

### FRANCE

**Struers S.A.S.**  
370, rue du Marché Rollay  
F- 94507 Champigny  
sur Marne Cedex  
Téléphone +33 1 55 09 14 30/31  
e-mail: struers@struers.fr

### BELGIQUE

**Struers S.A.S.**  
370, rue du Marché Rollay  
F- 94507 Champigny  
sur Marne Cedex  
Téléphone +32 43 70 93 18  
e-mail: struers@struers.fr

### JAPAN

**Marumoto Struers K.K.**  
Takara 3rd Building  
18-6, Higashi Ueno 1-chome  
Taito-ku, Tokyo 110-0015,  
Phone: +81 3 5688-2914  
e-mail: struers@struers.co.jp

### SINGAPORE

**Struers A/S**  
10 Eunos Road 8, #12-06 North Lobby  
Singapore Post Centre  
Singapore 408600  
Phone +65 6299 2268  
e-mail: struers.sg@struers.dk

### UNITED KINGDOM

**Struers Ltd.**  
Erskine Ferry Road, Old Kilpatrick  
Glasgow, G60 5EU  
Phone 01 389 877 222  
e-mail: info@struers.co.uk

### USA and CANADA

**Struers Inc.**  
24766 Detroit Road  
Westlake, OH 44145-1598  
Phone (888) 787-8377  
e-mail: info@struers.com



# LaboPress-3

 **Struers**



**Presse d'enrobage  
entièrement  
automatique pour  
l'enrobage à chaud  
de tous les matériaux.  
Equipée d'une unité  
d'enrobage à faible  
consommation  
d'énergie**

## Opération facile

### Réglage des paramètres d'enrobage

Une fois que les paramètres tels que le temps de chauffage, la force et le temps de refroidissement sont réglés, insérez l'échantillon et versez la résine, mettez la fermeture supérieure et appuyez sur le bouton de mise en marche. Vos enrobages seront terminés en un temps extrêmement court.

## Economies d'énergie

### Nouvelles unités d'enrobage très efficaces

Une conception ingénieuse a permis de rassembler les serpentins de chauffage/refroidissement et le cylindre d'enrobage dans une seule et même unité complète et légère. Le transfert de chaleur se fait très rapidement, ce qui accélère le chauffage et le refroidissement.

La consommation en courant de l'unité chauffante a été réduite à 750 W, alors que l'efficacité de l'unité, comparée aux presses traditionnelles, a été augmentée d'environ 100%. Ceci veut dire qu'une consommation d'énergie

réduite de moitié est suffisante pour chauffer l'unité d'enrobage beaucoup plus rapidement que le ferait une presse conventionnelle.

### Deux niveaux de chauffage

Il est possible de régler la température à deux niveaux différents. Pour l'enrobage des échantillons sensibles à la chaleur, elle peut être réglée à 150 °C, alors que tous les échantillons normaux doivent être enrobés à 180 °C pour produire des résultats rapides.

## Différentes tailles d'enrobage - Remplacement facile

**Enrobages jusqu'à 50 mm**  
Grâce à l'utilisation d'accouplements rapides pour l'alimentation en eau et d'une prise pour le branchement électrique, le remplacement complet de l'unité est effectué en quelques secondes. Six diamètres de cylindre différents de 25 à 50 mm, de 1¼" et de 1½" sont disponibles ce qui fait de LaboPress-3 la presse idéale pour toutes les applications.

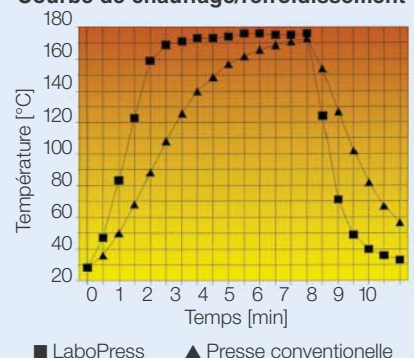
### Piston intermédiaire

L'utilisation d'un piston intermédiaire optionnel permet de doubler la capacité de la presse, car deux enrobages peuvent être produits simultanément.

### Nouvelle fermeture supérieure

La nouvelle fermeture supérieure, tout spécialement développée pour cette nouvelle série de presses, combine les avantages de la fermeture à baïonnette et de celle à filetage. Equipée d'un filetage externe triple, le nouveau dis-

**Courbe de chauffage/refroidissement**



positif de fermeture aura le même effet "d'agrippement" que la baïonnette et le filetage forcera le piston supérieur à descendre dans le cylindre, facilitant considérablement le travail de l'opérateur. Comme le filetage est externe, aucune contamination avec la résine n'est possible.

## Pompe électro-hydraulique Faible consommation d'énergie - Niveau de bruit bas

L'unité électro-hydraulique possède un dispositif de contrôle du moteur sophistiqué, activé lorsque la force préprogrammée est atteinte. Ainsi, la consommation d'énergie est réduite et le niveau de bruit est bas.



# Struers

**Struers A/S**  
Pederstrupvej 84  
DK-2750 Ballerup, Denmark  
Phone +45 44 600 800  
Fax +45 44 600 801  
struers@struers.dk  
www.struers.com

### Données techniques

LaboPress-3		
<b>Unité d'enrobage</b>	Dia. d'enrobage Interchangeable	25, 30, 40, 50 mm et 1 1/4", 1 1/2"
	Enrobages doubles	Piston intermédiaire optionnel
<b>Paramètres d'enrobage</b>	Plage de la force, kN	0-50 réglable continûment
	Température de chauffage °C	150/180
	Temps de chauffage, min	0-15
	Temps de refroidissement, min	0-15
<b>Composants électroniques</b>	Touches de contrôle	Touches à effleurement, boutons
	Contrôle du processus pour le chauffage	Temps Température Force
	Contrôle du processus pour le refroidissement	Temps Force (la même que pour le chauffage)
	Pression libérée automatiquement	Oui
	Lecture lors du processus d'enrobage	Etape du processus actuel Temps de chauffage préprogrammé, temps de refroidissement, température de chauffage
<b>Standard de sécurité</b> conformes à CE et FCC	Général	89/392/EEC & 91/386/EEC & 93/44/EEC EN292-1, EN292-2, EN60204-1 (IEC 204-1)
	EMC	89/336/EEC & 92/231/EEC EN50081-2, EN50082-2 FCC part 15, subpart B
<b>Alimentation</b>	Electrique, nombre de phases	1
	Consommation en courant, W Totale max.	1500
	Unité d'enrobage	750
	Eau	Eau du robinet Min 1 bar, max 10 bar
	Unité de recyclage	Marche/arrêt automatique de TREC1 branché sur ROPRE
<b>Dimensions et poids</b>	Largeur x profondeur x hauteur (Unité d'enrobage avec la fermeture supérieure installée)	420 x 580 x 420
	Poids, kg	38

### Spécification LaboPress-3

Presse d'enrobage électro-hydraulique avec force, temps de chauffage et temps de refroidissement préprogrammés. Des unités d'enrobage de 25 à 50 mm de dia. sont disponibles. Les unités d'enrobage sont à commander séparément.

### Code

LABTE

### Unité d'enrobage pour ProntoPress-20, ProntoPress-10, LaboPress-3 et LaboPress-1

Constituée d'un cylindre, d'un piston supérieur et inférieur, d'une unité de chauffage/refroidissement et d'une fermeture supérieure.

Diamètre du cylindre 25 mm	CYNMI
Diamètre du cylindre 30 mm	CYNTE
Diamètre du cylindre 1 1/4"	CYNQU
Diamètre du cylindre 1 1/2"	CYNHA
Diamètre du cylindre 40 mm	CYNIF
Diamètre du cylindre 50 mm	CYNAM

### Piston intermédiaire

Pour faire 2 enrobages dans ProntoPress-20, ProntoPress-10, LaboPress-3, LaboPress-1, Primopress, Prontopress-2, Predopress et Prestopress-3. Veuillez indiquer le diamètre du cylindre.

CYLD0

Les produits Struers subissent continuellement des modifications et des perfectionnements. Nous nous réservons donc le droit de pratiquer des changements sur nos produits sans avis préalable

### DEUTSCHLAND

**Struers GmbH**  
Karl-Arnold-Strasse 13 B  
D-47877 Willich  
Telefon +49/(0) 21 54/4 86-0  
e-mail: verkauf.struers@struers.de

### ÖSTERREICH

**Struers GmbH**  
Zweigniederlassung Österreich  
Ginzkeyplatz 10  
A-5020 Salzburg  
Telefon (0662) 625711  
e-mail: stefan.lintschinger@struers.de

### SCHWEIZ

**Struers GmbH**  
Zweigniederlassung Schweiz  
Weissenbrunnenstrasse 41  
CH-8903 Birmensdorf  
Telefon (01) 77763-07  
e-mail: rudolf.weber@struers.de

### THE NETHERLANDS

**Struers GmbH Nederland**  
Electraweg 5  
NL-3144 CB Maassluis  
Tel.: +31 (0) 10 599 72 09  
e-mail: glen.van.vugt@struers.de

### CZECH REPUBLIC

**Struers GmbH**  
Ocelářská 799  
CZ-190 00 Praha 9  
Tel. 02 / 84 818 227  
e-mail: david.cernicky@struers.de

### POLAND

**Struers Sp. z o.o.**  
Oddział w Polsce  
ul. Lirowa 27  
PL-02-387 Warszawa  
Tel.: 022/824 52 80  
e-mail: grzegorz.uszynski@struers.de

### HUNGARY

**Struers GmbH**  
Magyarországi fióktelep  
Puskás Tivadar u. 4  
H-2040 Budaörs  
Phone (23) 428-742  
Fax (23) 428-741  
e-mail: zoltan.kiss@struers.de

### FRANCE

**Struers S.A.S.**  
370, rue du Marché Rollay  
F- 94507 Champigny  
sur Marne Cedex  
Téléphone +33 1 55 09 14 30/31  
e-mail: struers@struers.fr

### BELGIQUE

**Struers S.A.S.**  
370, rue du Marché Rollay  
F- 94507 Champigny  
sur Marne Cedex  
Téléphone +32 43 70 93 18  
e-mail: struers@struers.fr

### JAPAN

**Marumoto Struers K.K.**  
Takara 3rd Building  
18-6, Higashi Ueno 1-chome  
Taito-ku, Tokyo 110-0015,  
Phone: +81 3 5688-2914  
e-mail: struers@struers.co.jp

### SINGAPORE

**Struers A/S**  
10 Eunos Road 8, #12-06 North Lobby  
Singapore Post Centre  
Singapore 408600  
Phone +65 6299 2268  
e-mail: struers.sg@struers.dk

### UNITED KINGDOM

**Struers Ltd.**  
Erskine Ferry Road, Old Kilpatrick  
Glasgow, G60 5EU  
Phone 01 389 877 222  
e-mail: info@struers.co.uk

### USA and CANADA

**Struers Inc.**  
24766 Detroit Road  
Westlake, OH 44145-1598  
Phone (888) 787-8377  
e-mail: info@struers.com